



Excellent Integrated System Limited

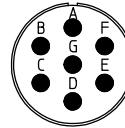
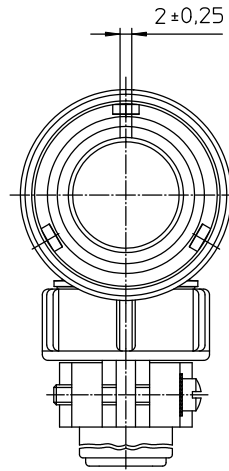
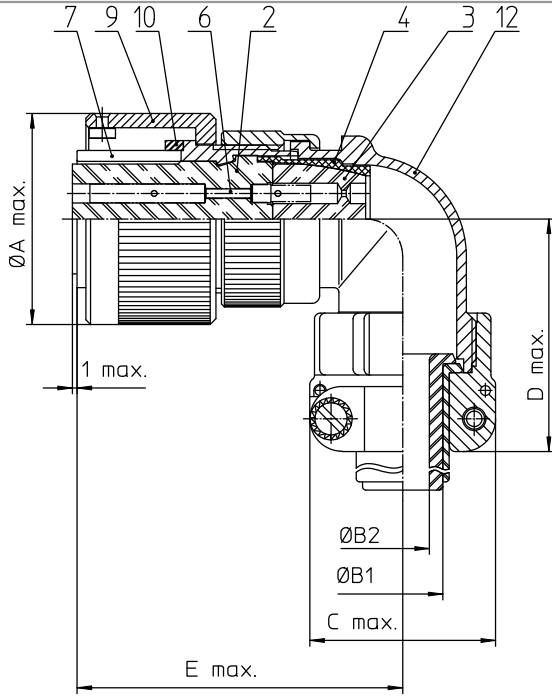
Stocking Distributor

Click to view price, real time Inventory, Delivery & Lifecycle Information:

[ITT Cannon, LLC](#)
[CA3108E14SA7SBF80A232](#)

For any questions, you can email us directly:

sales@integrated-circuit.com



NO.	MASSE / DIMENSION
A	29.2
B1	9.1
B2	-
C	27.5
D	42
E	47

NO.	BESCHREIBUNG / DESCRIPTION
2	ISOLIERKÖRPER BUCHSE / INSULATOR SOCKET
3	DICKTÖRPER / GROMMET
4	ENDRING / ENDRING
6	KONTAKTBUCHSE / CONTACT SOCKET
7	ZYLINDERGHÄUSE / BARREL
9	ÜBERWURFMÜTTER / COUPLING NUT
10	DICHTRING FRONT / FRONT SEALING RING
12	ENDGEHÄUSE / ENDBELL

Note: Due to an automatic nomenclature system, numbers generated may not be sequential.
 Specification and Dimensions subject to change.
 Drawings illustrate normal insulator positioning.

Material Specification:	
Shell Material:	Aluminium alloy
Shell Plating:	Zinc cobalt, black (conductive)
Insulator Material:	CR-Elastomere
Contact Material:	Copper alloy
Contact Plating:	Hard silver

all dimensions are in mm
 Dimensions without tolerance indications are general tolerances in acc. with DIN 7180

drawing for
 CUSTOMER

<p>ITT Engineered for life</p>	description CA3108E14SA7S-B-F80-A232 Plug, 90° Endbell with clamp and bushing AWG Crimp / Socket / Layout: 14SA7
	© All rights reserved. Reproduction or issue to third party without written permission of ITT Cannon. page 1/1 revision 786-4 Jul 18