



**Distributor of ITT Cannon, LLC: Excellent Integrated System Limited**

Datasheet of CA3106R22-7SF80 - CONN PLUG 1POS INLINE W/SKTS

Contact us: [sales@integrated-circuit.com](mailto:sales@integrated-circuit.com) Website: [www.integrated-circuit.com](http://www.integrated-circuit.com)

---

## **Excellent Integrated System Limited**

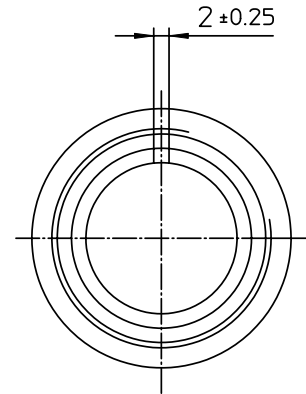
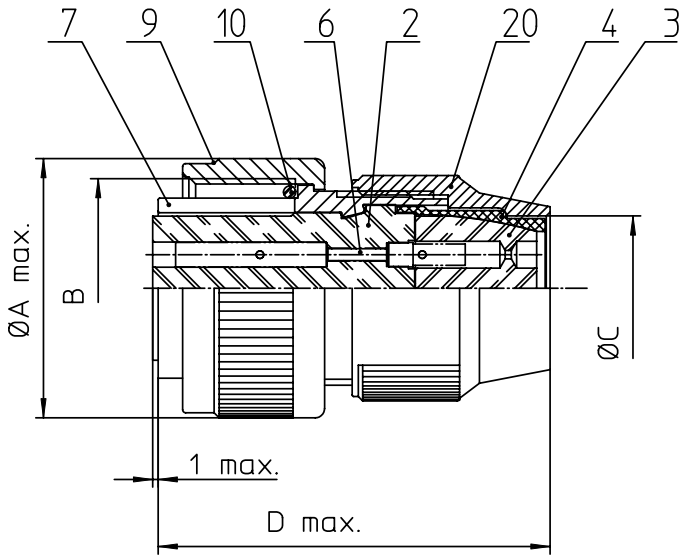
Stocking Distributor

Click to view price, real time Inventory, Delivery & Lifecycle Information:

[ITT Cannon, LLC](#)  
[CA3106R22-7SF80](#)

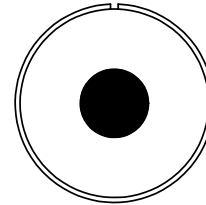
For any questions, you can email us directly:

[sales@integrated-circuit.com](mailto:sales@integrated-circuit.com)




NO.	MASSE / DIMENSION
A	40,5
B	1 3/8-18NEF-2A
C	24,7
D	53

NO.	BESCHREIBUNG / DESCRIPTION
2	ISOLIERKÖRPER BUCHSE / INSULATOR SOCKET
3	DICKTKÖRPER / GROMMET
4	ENDRING / ENDRING
6	KONTAKTBUCHSE / CONTACT SOCKET
7	ZYLINDERGHÄUSE / BARREL
9	ÜBERWURFMUTTER / COUPLING NUT
10	DICHTRING FRONT / FRONT SEALING RING
20	KURZES ENDGEHÄUSE / SHORT ENDBELL



Note: Due to an automatic nomenclature system, numbers generated may not be sequential.  
Specification and Dimensions subject to change  
Drawings illustrate normal insulator positioning

**Material Specification:**  
 Shell Material: Aluminium alloy  
 Shell Plating: Olive drab chromate coating over cadmium plating  
 Insulator Material: Neoprene  
 Contact Material: Copper alloy  
 Contact Plating: Hard silver

all dimensions are in mm Dimensions without tolerance indications are general tolerances in acc. with DIN7168m		drawing for <b>CUSTOMER</b>
 <b>ITT</b> Engineered for life <small>ITT CANNON GROUP                  91-77358-0000-00 Summary</small>	description	CA3106R22-7S-F80
	Plug, straight Shortened light-weight endbell without cable clamp AWG Crimp / Socket / Layout: 22-7	
© All rights reserved. Reproduction or issue to third in any form whatever is only permitted with written authorization of ITT Cannon	page 1/1	revision 377 3. Jul 16