



## **Excellent Integrated System Limited**

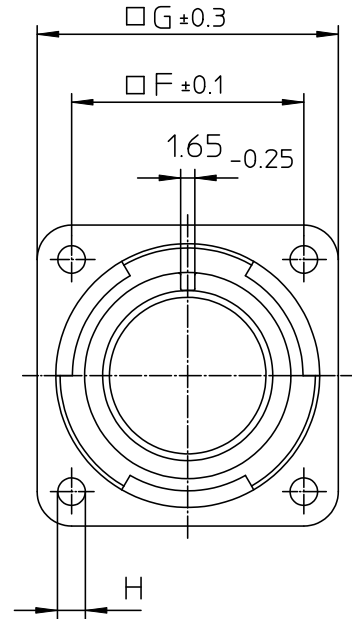
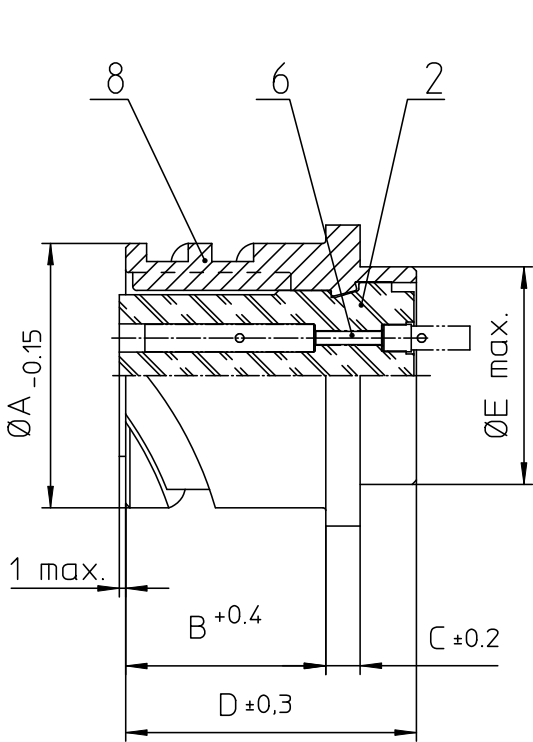
Stocking Distributor

Click to view price, real time Inventory, Delivery & Lifecycle Information:

[ITT Cannon, LLC](#)  
[CA3102E36-10SB](#)

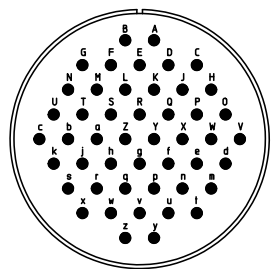
For any questions, you can email us directly:

[sales@integrated-circuit.com](mailto:sales@integrated-circuit.com)



NO.	MASSE / DIMENSION
A	59.6
B	22.2
C	4
D	33.8
E	52.6
F	49.2
G	63.5
H	4.3

NO.	BESCHREIBUNG / DESCRIPTION
2	ISOLIERKÖRPER BUCHSE / INSULATOR SOCKET
6	KONTAKTBUCHSE / CONTACT SOCKET
8	DOSENGEHÄUSE / SHELL



Note: Due to an automatic nomenclature system, numbers generated may not be sequential.  
 Specification and Dimensions subject to change  
 Drawings illustrate normal insulator positioning

**Material Specification:**  
 Shell Material: Aluminium alloy  
 Shell Plating: Olive drab chromate over cadmium (conductive)  
 Insulator Material: CR-Elastomere  
 Contact Material: Copper alloy  
 Contact Plating: Hard silver

all dimensions are in mm  
 Dimensions without tolerance indications are general tolerances in acc. with DIN7168m

description CA3102E36-10S-B  
 Box mounting receptacle

Solder Cup / Socket / Layout: 36-10

© All rights reserved. Reproduction or issue to third in any form without prior written authorization of ITT Cannon

drawing for CUSTOMER

ITT  
 Engineered for life  
 ITT CANNON GmbH  
 D-71334 Heilbronn Germany

page 1/1 revision 786 4. Jul 16