



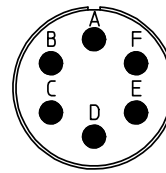
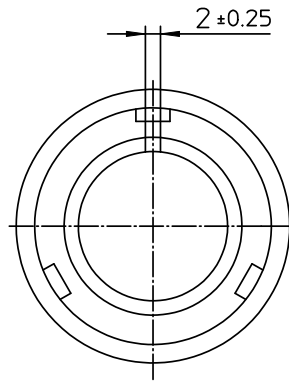
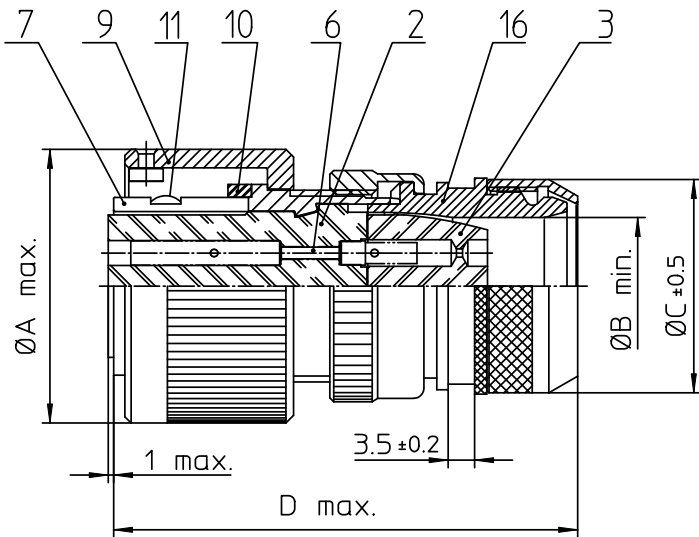
Excellent Integrated System Limited

Stocking Distributor

Click to view price, real time Inventory, Delivery & Lifecycle Information:

[ITT Cannon, LLC](#)
[CA3106E14S-6SB14](#)

For any questions, you can email us directly:
sales@integrated-circuit.com


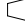



NO.	MASSE / DIMENSION
A	29.2
B	10.6
C	22
D	55

NO.	BESCHREIBUNG / DESCRIPTION
2	ISOLIERKÖRPER BUCHSE / INSULATOR SOCKET
3	DICHTKÖRPER / GROMMET
6	KONTAKTBUCHSE / CONTACT SOCKET
7	ZYLINDERGHÄUSE / BARREL
9	ÜBERWURFMUTTER / COUPLING NUT
10	DICHTRING FRONT / FRONT SEALING RING
11	SCHIRMKRANZ/SHIELDING BRAID
16	ENDGEHÄUSE GESCHIRMT / ENDBELL SHIELDED

Note: Due to an automatic nomenclature system, numbers generated may not be sequential.
Specification and Dimensions subject to change
Drawings illustrate normal insulator positioning

Material Specification:	
Shell Material:	Aluminium alloy
Shell Plating:	Olive drab chromate over cadmium (conductive)
Insulator Material:	CR-Elastomere
Contact Material:	Copper alloy
Contact Plating:	Hard silver

all dimensions are in mm		Dimensions without tolerance indications are general tolerances in acc. with DIN7168m	drawing for CUSTOMER
 ITT Engineered for life <small>ITT CANNON GROUP 11100 Westfield, MA 01086 © 2016 ITT Cannon</small>	description	CA3106E14S-6S-B-14	
		Plug, straight shielded Shielded with endbell for shielded braids & heat shrinkable boots Metric Crimp / Socket / Layout: 14S-6	
<small>© All rights reserved. Reproduction or use in third in any form without written authorization of ITT Cannon</small>	 page 1/1	 revision 786 4, Jul 16	