

Excellent Integrated System Limited

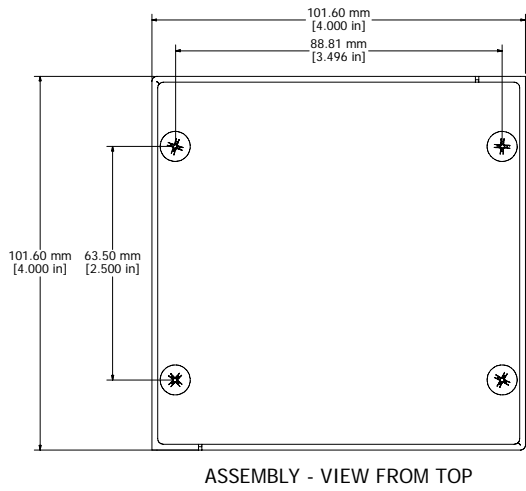
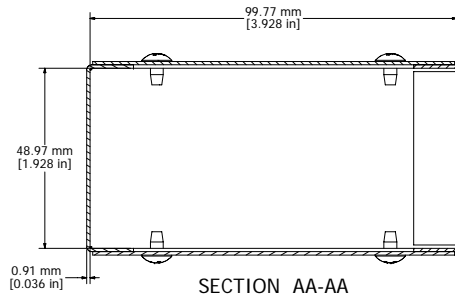
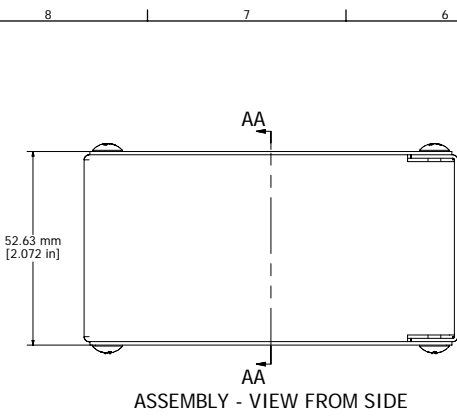
Stocking Distributor

Click to view price, real time Inventory, Delivery & Lifecycle Information:

[Hammond Manufacturing](#)
[1415A](#)

For any questions, you can email us directly:

sales@integrated-circuit.com



- ASA 61 GREY POWDER PAINTED 0.036" 20 GAUGE STEEL BODY
- EIGHT 6-32 NICKEL PLATED SCREWS
EXTRA SCREWS - 1421J6 (6-32 x 1/4 SHEET METAL SCREWS)

Contact Factory mjm@hammondmfg.com for quotes
 Enclosures can be Factory Modified (Milling, Drilling, Printing etc.)
 Solid models of this enclosure available in STEP or IGES.



**HAMMOND
 MANUFACTURING™**

1415A

www.hammondmfg.com