

Excellent Integrated System Limited

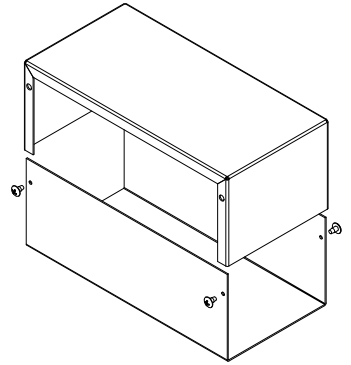
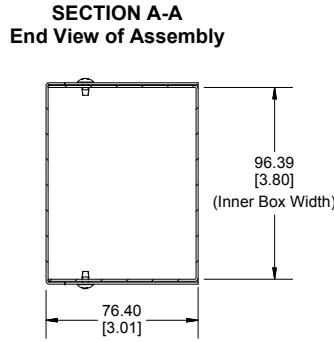
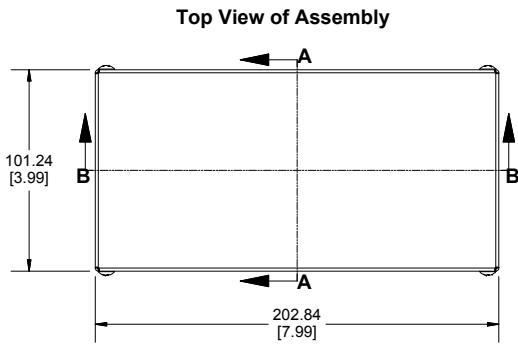
Stocking Distributor

Click to view price, real time Inventory, Delivery & Lifecycle Information:

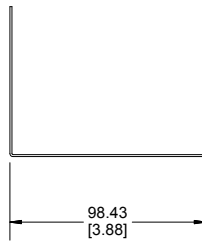
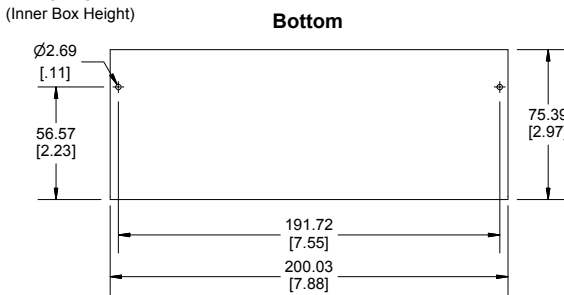
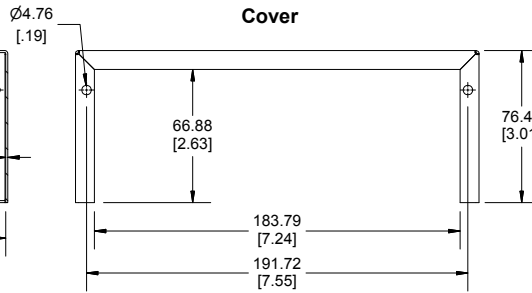
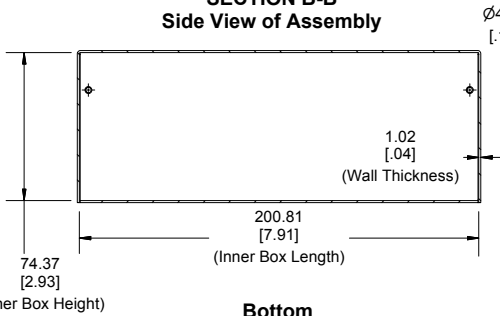
[Hammond Manufacturing](#)
[1411S](#)

For any questions, you can email us directly:

sales@integrated-circuit.com



SECTION B-B Side View of Assembly



Enclosures can be Factory Modified (Milling, Drilling, Printing etc.)
 Contact Factory mjm@hammondmfg.com for quotes
 Solid models of this enclosure available in STEP or IGES.

NOTE	
Purchased assembly includes bottom, cover and 4 cover screws. Bottom and cover are made from 0.04" Aluminum Panels.	
PART NUMBERS	
1411S Enclosure	
Natural Finish Enclosure	1411SU
ASA 61 Grey Enclosure	1411S
ACCESSORIES	
Plated Cover Screws (Pkg 6) [6-32 x 1/4" Self-Tapping Screws]	1421J6

HAMMOND MANUFACTURING™
1411S
www.hammondmfg.com

Dimensions:
 mm
 [inches]