

Excellent Integrated System Limited

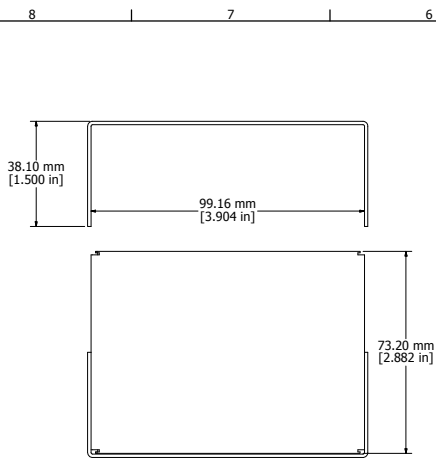
Stocking Distributor

Click to view price, real time Inventory, Delivery & Lifecycle Information:

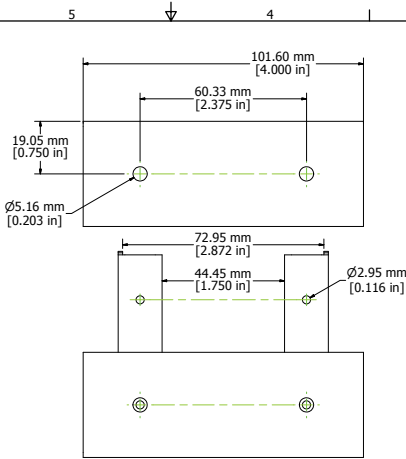
[Hammond Manufacturing](#)
[1458A3](#)

For any questions, you can email us directly:

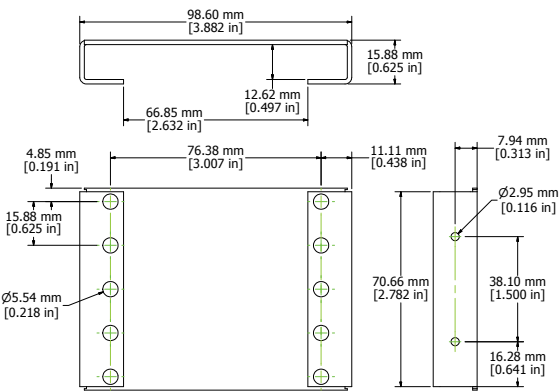
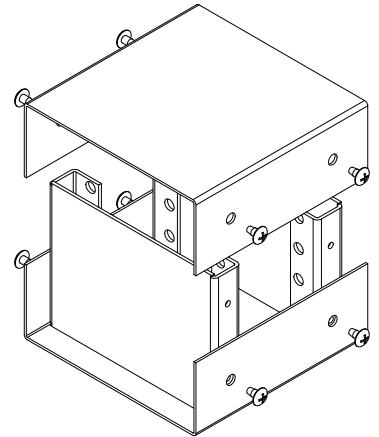
sales@integrated-circuit.com



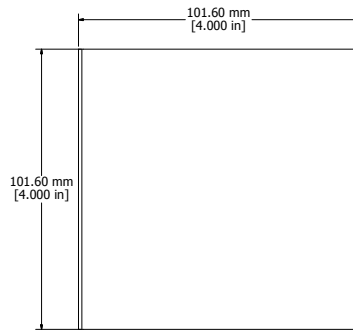
ASSEMBLY - END VIEW (OPEN)



ASSEMBLY - SIDE VIEW (OPEN)



END PLATES



TOP/BOTTOM ENCLOSURE

Enclosures can be Factory Modified (Milling, Drilling, Printing etc.)
Contact Factory mjm@hammondmfg.com for quotes
Solid models of this enclosure available in STEP or IGES.

| 1458A3 | |
|---|------------------|
| Top/Bottom - 18 ga. Steel | |
| Powder Coated Black RAL 9011 - 1458A3 | |
| Powder Coated Gulf Blue RAL 5021 - 1458A3B | |
| Front/Rear Panels - .064 Aluminum | |
| 1- Black RAL 9011 | 1- Grey RAL 7032 |
| 8 Screws Self Tapping 632 Philips Nickel Plated | |
| 4 Self Adhesive Rubber Feet Included | |
| Replacement Screws - 1421-J6 (6 pcs.) | |



**HAMMOND
MANUFACTURING®**

1458A3

hammondmfg.com