

## **Excellent Integrated System Limited**

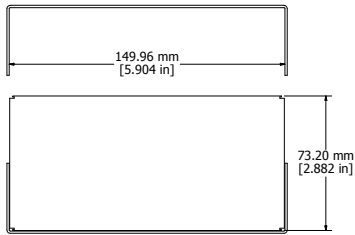
Stocking Distributor

Click to view price, real time Inventory, Delivery & Lifecycle Information:

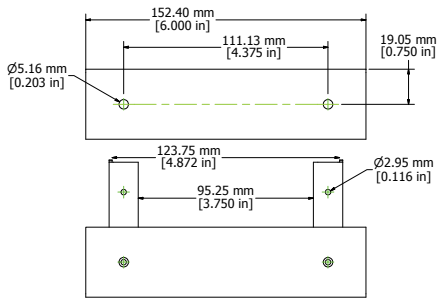
[Hammond Manufacturing](#)  
[1458C3](#)

For any questions, you can email us directly:

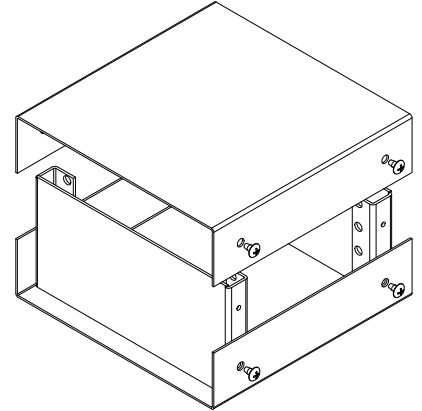
[sales@integrated-circuit.com](mailto:sales@integrated-circuit.com)



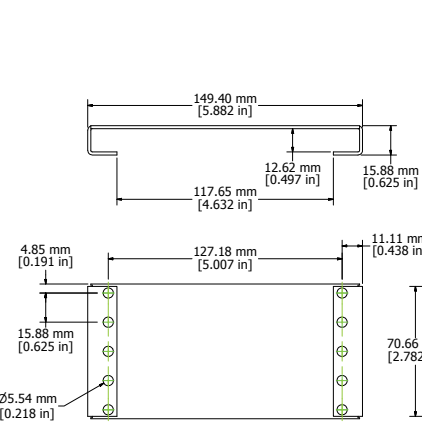
ASSEMBLY - END VIEW (OPEN)



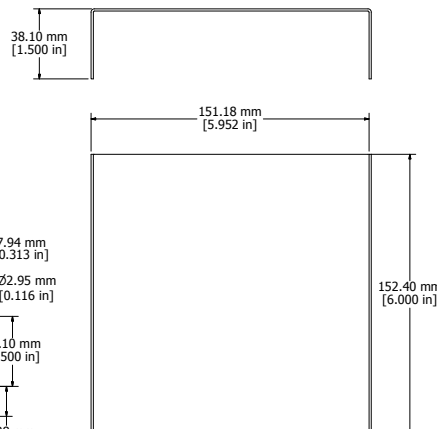
ASSEMBLY- SIDE VIEW (OPEN)



Enclosures can be Factory Modified ( Milling, Drilling, Printing etc. )  
Contact Factory [mjm@hammondmfg.com](mailto:mjm@hammondmfg.com) for quotes  
Solid models of this enclosure available in STEP or IGES.



END PLATES



BOTTOM/TOP ENCLOSURE

1458C3	
Top/Bottom - 18 ga. Steel	
Powder Coated Black RAL 9011 - <b>1458C3</b>	
Powder Coated Gulf Blue RAL 5021 - <b>1458C3B</b>	
Front/Rear Panels - .064 Aluminum	
1- Black RAL 9011	1- Grey RAL 7032
8 Screws Self Tapping 632 Philips Nickel Plated	
4 Self Adhesive Rubber Feet Included	
Replacement Screws - 1421-J6 (6 pcs.)	



**HAMMOND  
MANUFACTURING®**

**1458C3**

[hammondmfg.com](http://hammondmfg.com)