



Excellent Integrated System Limited

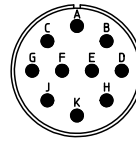
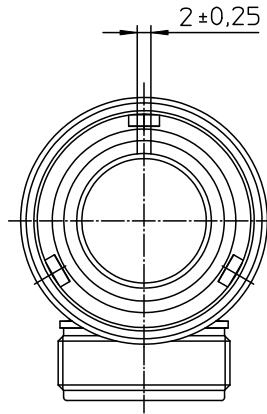
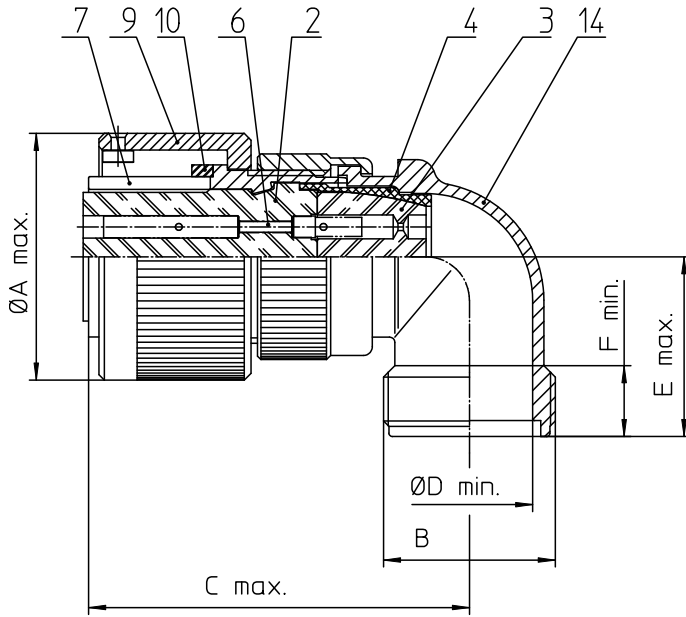
Stocking Distributor

Click to view price, real time Inventory, Delivery & Lifecycle Information:

[ITT Cannon, LLC](#)
[CA3108F18-19SBF80A176](#)

For any questions, you can email us directly:

sales@integrated-circuit.com



NO.	MASSE / DIMENSION
A	36.5
B	1-20UNEF-2A
C	58
D	18.3
E	27
F	9.4

NO.	BESCHREIBUNG / DESCRIPTION
2	ISOLIERKÖRPER BUCHSE / INSULATOR SOCKET
3	DICHTKÖRPER / GROMMET
4	ENDRING / ENDRING
6	KONTAKTBUCHSE / CONTACT SOCKET
7	ZYLINDERGHÄUSE / BARREL
9	ÜBERWURFMUTTER / COUPLING NUT
10	DICHTRING FRONT / FRONT SEALING RING
14	F-ENDGEHÄUSE / F-ENDBELL

Note: Due to an automatic nomenclature system, numbers generated may not be sequential.

Specification and Dimensions subject to change
 Drawings illustrate normal insulator positioning

Material Specification:

Shell Material: Aluminium alloy
 Shell Plating: Olive drab chromate over cadmium (conductive)
 Insulator Material: CR-Elastomere
 Contact Material: Copper alloy
 Contact Plating: Gold 0,5 µm

all dimensions are in mm
 Dimensions without tolerance indications are general tolerances in acc. with DIN7186m

description: CA3108F18-19S-B-F80-A176
 Plug, 90°
 Endbell for flex tube
 AWG Crimp / Socket / Layout: 18-19

drawing for: CUSTOMER

ITT
 Engineered for life
 ITT CANADA CORP.
 5 - 7124 Westside Drive

© All rights reserved. Reproduction or use in any form without written authorization of ITT Cannon

page: 1/1
 revision: 786 4 Jul 16