



## **Excellent Integrated System Limited**

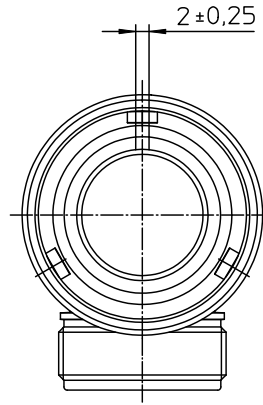
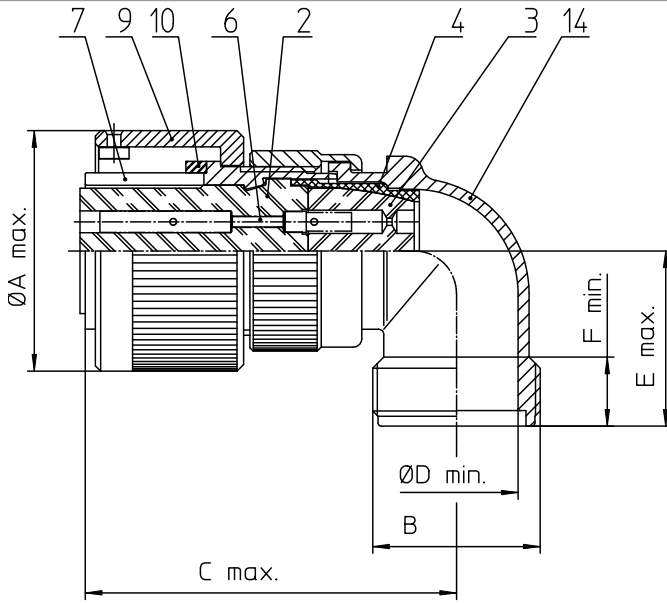
Stocking Distributor

Click to view price, real time Inventory, Delivery & Lifecycle Information:

[ITT Cannon, LLC](#)  
[CA3108F10SL-3SB14](#)

For any questions, you can email us directly:

[sales@integrated-circuit.com](mailto:sales@integrated-circuit.com)





NO.	MASSE / DIMENSION
A	22.8
B	5/8-24UNEF-2A
C	45
D	9.5
E	22
F	9.4

NO.	BESCHREIBUNG / DESCRIPTION
2	ISOLIERKÖRPER BUCHSE / INSULATOR SOCKET
3	DICHTKÖRPER / GROMMET
4	ENDRING / ENDRING
6	KONTAKTBUCHSE / CONTACT SOCKET
7	ZYLINDERGHÄUSE / BARREL
9	ÜBERWURFMUTTER / COUPLING NUT
10	DICHTRING FRONT / FRONT SEALING RING
11	SCHIRMKRANZ/SHIELDING BRAID
14	F-ENDGEHÄUSE / F-ENDBELL

Note: Due to an automatic nomenclature system, numbers generated may not be sequential.  
Specification and Dimensions subject to change  
Drawings illustrate normal insulator positioning

Material Specification	
Shell Material:	Aluminium alloy
Shell Plating:	Olive drab chromate over cadmium (conductive)
Insulator Material:	CR-Elastomere
Contact Material:	Copper alloy
Contact Plating:	Hard silver

all dimensions are in mm		drawing for	
Dimensions without tolerance indications are general tolerances in acc. with DIN7168m		CUSTOMER	
 <b>ITT</b> <i>Engineered for life</i> <small>ITT CANNON CORP.</small> <small>57381 WendlandGermany</small>	description	CA3108F10SL-3S-B-14	
		Plug, 90° shielded	
		Shielded with endbell for shielded braids & heat shrinkable boots	
	Metric Crimp / Socket / Layout:	10SL-3	
<small>© All rights reserved. Reproduction or issue to third in any form without the prior written authorization of ITT Cannon</small>			page 1/1 revision 788 4. Jul 16