



Distributor of ITT Cannon, LLC: Excellent Integrated System Limited

Datasheet of CA3106R20-19SXF80 - CONN PLUG 3POS INLINE W/SKTS

Contact us: sales@integrated-circuit.com Website: www.integrated-circuit.com

Excellent Integrated System Limited

Stocking Distributor

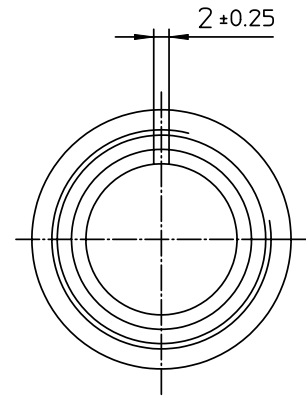
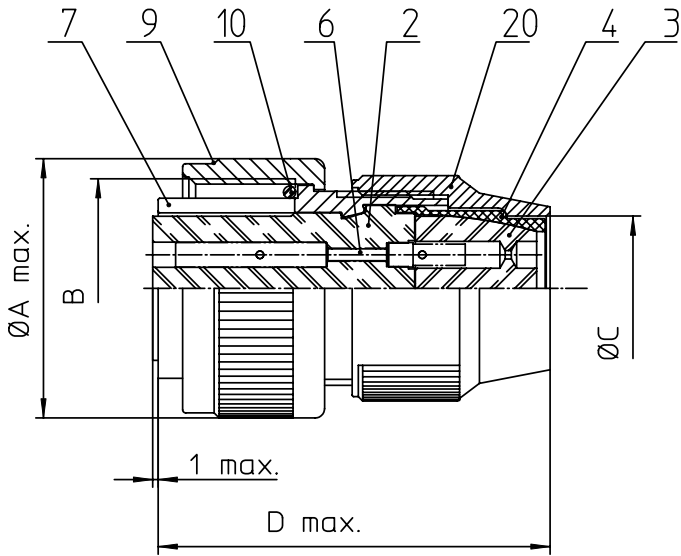
Click to view price, real time Inventory, Delivery & Lifecycle Information:

[ITT Cannon, LLC](#)

[CA3106R20-19SXF80](#)

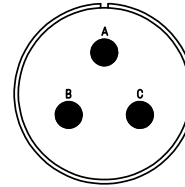
For any questions, you can email us directly:

sales@integrated-circuit.com



| NO. | MASSE / DIMENSION |
|-----|-------------------|
| A | 37,4 |
| B | 1 1/4-18NEF-2A |
| C | 22 |
| D | 53 |

| NO. | BESCHREIBUNG / DESCRIPTION |
|-----|---|
| 2 | ISOLIERKÖRPER BUCHSE / INSULATOR SOCKET |
| 3 | DICHTKÖRPER / GROMMET |
| 4 | ENDRING / ENDRING |
| 6 | KONTAKTBUCHSE / CONTACT SOCKET |
| 7 | ZYLINDERGHÄUSE / BARREL |
| 9 | ÜBERWURFMUTTER / COUPLING NUT |
| 10 | DICHTRING FRONT / FRONT SEALING RING |
| 20 | KURZES ENDGEHÄUSE / SHORT ENDBELL |



Note: Due to an automatic nomenclature system, numbers generated may not be sequential.
Specification and Dimensions subject to change
Drawings illustrate normal insulator positioning

Material Specification:
Shell Material: Aluminium alloy
Shell Plating: Olive drab chromate coating over cadmium plating
Insulator Material: Neoprene
Contact Material: Copper alloy
Contact Plating: Hard silver

all dimensions are in mm
Dimensions without tolerance indications are general tolerances in acc. with DIN7168m
drawing for CUSTOMER



description CA3106R20-19SX-F80
Plug, straight
Shortened light-weight endbell without cable clamp
AWG Crimp / Socket / Layout: 20-19

© All rights reserved. Reproduction or issue to third in any form
whenever & only permitted with written authorization of ITT Cannon
page 1/1
revision 377 3. Jul 16