



Excellent Integrated System Limited

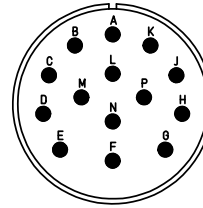
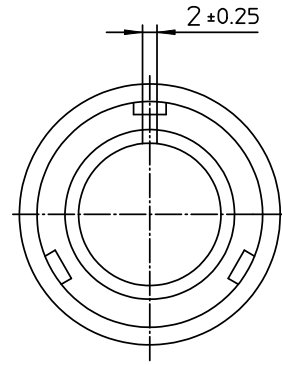
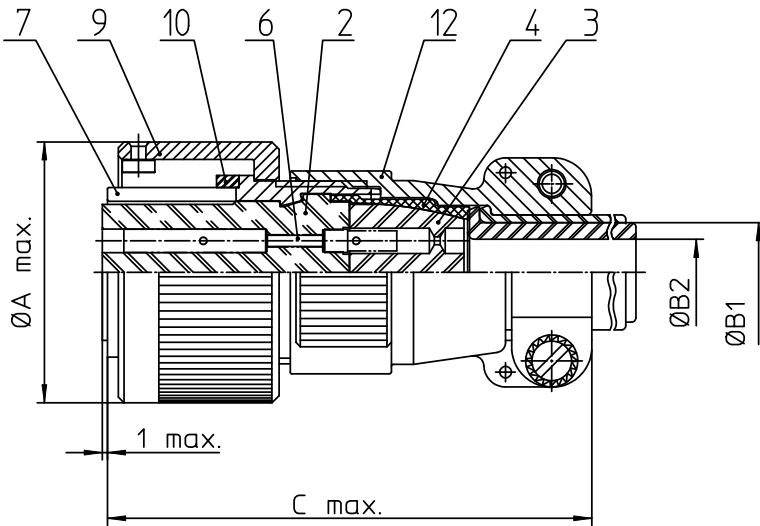
Stocking Distributor

Click to view price, real time Inventory, Delivery & Lifecycle Information:

[ITT Cannon, LLC](#)
[CA3106E22-19SBF80A176F0](#)

For any questions, you can email us directly:

sales@integrated-circuit.com





NO.	MASSE / DIMENSION
A	43.1
B1	15.9
B2	-
C	68

NO.	BESCHREIBUNG / DESCRIPTION
2	ISOLIERKÖRPER BUCHSE / INSULATOR SOCKET
3	DICHTKÖRPER / GROMMET
4	ENDRING / ENDRING
6	KONTAKTBUCHSE / CONTACT SOCKET
7	ZYLINDERGHÄUSE / BARREL
9	ÜBERWURFMUTTER / COUPLING NUT
10	DICHTRING FRONT / FRONT SEALING RING
12	ENDGEHÄUSE / ENDBELL

Note: Due to an automatic nomenclature system, numbers generated may not be sequential.
 Specification and Dimensions subject to change
 Drawings illustrate normal insulator positioning

Material Specification:	
Shell Material:	Aluminium alloy
Shell Plating:	Olive drab chromate over cadmium (conductive)
Insulator Material:	CR-Elastomere
Contact Material:	Copper alloy
Contact Plating:	Gold 0,5 µm

all dimensions are in mm		Dimensions without tolerance indications are general tolerances in acc. with DIN7168m	drawing for
 ITT Engineered for life <small>ITT CANNON GmbH D-71284 Vörsels/Deutschland</small>		description	CUSTOMER
		CA3106E22-19S-B-F80-A176-F0 Plug, straight Endbell with clamp and bushing AWG Crimp / Socket / Layout: 22-19	
<small>© All rights reserved. Reproduction or issue to third in any form whatever is only permitted with written authorization of ITT Cannon</small>		 page 1/1 revision 786 4. Jul 16	