



Excellent Integrated System Limited

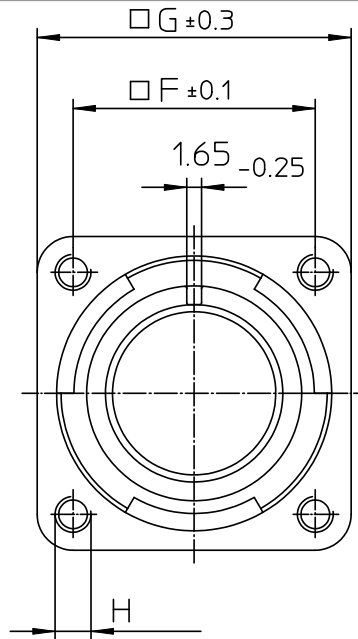
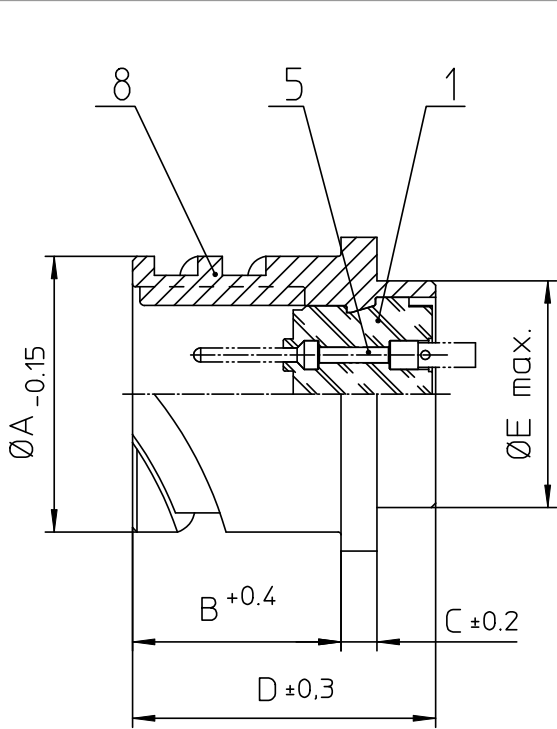
Stocking Distributor

Click to view price, real time Inventory, Delivery & Lifecycle Information:

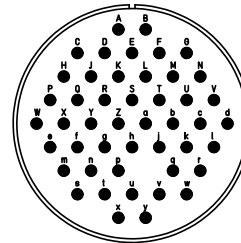
[ITT Cannon, LLC](#)
[CA3102E32A47PB109A176](#)

For any questions, you can email us directly:

sales@integrated-circuit.com



NO.	MASSE / DIMENSION
A	53.4
B	24.05
C	4
D	33.8
E	47.8
F	44.5
G	57
H	M5



NO.	BESCHREIBUNG / DESCRIPTION
1	ISOLIERKÖRPER STIFT / INSULATOR PIN
5	KONTAKTSTIFT / CONTACT PIN
8	DOSENGEHÄUSE / SHELL

Note: Due to an automatic nomenclature system, numbers generated may not be sequential.
 Specification and Dimensions subject to change
 Drawings illustrate normal insulator positioning

Material Specification:
Shell Material: Aluminium alloy
Shell Plating: Olive drab chromate over cadmium (conductive)
Insulator Material: CR-Elastomere
Contact Material: Copper alloy
Contact Plating: Gold 0,5 µm

all dimensions are in mm
 Dimensions without tolerance indications are general tolerances in acc. with DIN7168m

drawing for
 CUSTOMER

ITT
 Engineered for life
 ITT CANNON GROUP
 317500 Westwood Company

description CA3102E32A47P-B-109-A176
 Box mounting receptacle (rear mount, threaded holes)

AWG Crimp / Pin / Layout: 32A47

© All rights reserved. Reproduction or use in third in any form without prior written authorization of ITT Cannon

page 1/1
 revision 786.4, Jul 16