



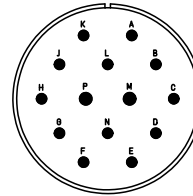
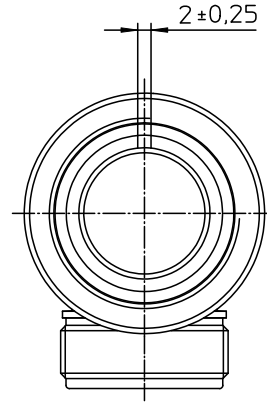
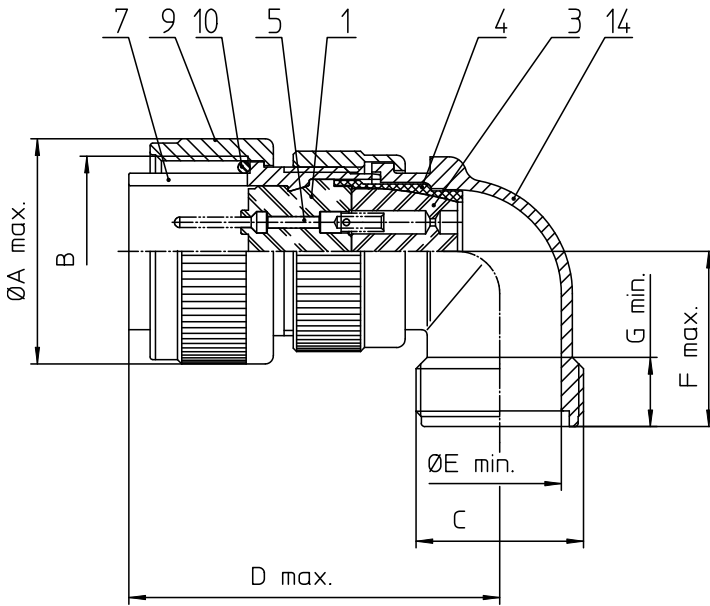
Excellent Integrated System Limited

Stocking Distributor

Click to view price, real time Inventory, Delivery & Lifecycle Information:

[ITT Cannon, LLC](#)
[CA3108R28-2PF80F0](#)

For any questions, you can email us directly:
sales@integrated-circuit.com



NO.	MASSE / DIMENSION
A	50.2
B	1 3/4-18NS-2B
C	1 7/16-18NEF-2A
D	43.3
E	30.5
F	35.0

NO.	BESCHREIBUNG / DESCRIPTION
1	ISOLIERKÖRPER STIFT / INSULATOR PIN
3	DICHTKÖRPER / GROMMET
4	ENDRING / ENDRING
5	KONTAKTSTIFT/ CONTACT PIN
7	ZYLINDERGHÄUSE / BARREL
9	ÜBERWURFMUTTER / COUPLING NUT
10	DICHTRING FRONT / FRONT SEALING RING
12	ENDGEHÄUSE / ENDBELL

Note: Due to an automatic nomenclature system, numbers generated may not be sequential.
Specification and Dimensions subject to change Drawings illustrate normal insulator positioning
Material Specification:
Shell Material: Aluminium alloy
Shell Plating: Olive drab chromate coating over cadmium plating
Insulator Material: Neoprene
Contact Material: Copper alloy
Contact Plating: Hard silver

all dimensions are in mm Dimensions without tolerance indications are general tolerances in acc. with DIN7168m	drawing for CUSTOMER
 ITT <i>Engineered for life</i> ITT CANNON GERMANY D-71364 Weinstadt-Germersheim	description CA3108R28-2P-F80-F0 Plug 90° Shortened light-weight endbell without cable clamp AWG Crimp / Pin / Layout: 28-2
© All rights reserved. Reproduction or issue to third in any form without the written permission of ITT Cannon	page 1/1 revision 377.3, Jul 16