



## **Excellent Integrated System Limited**

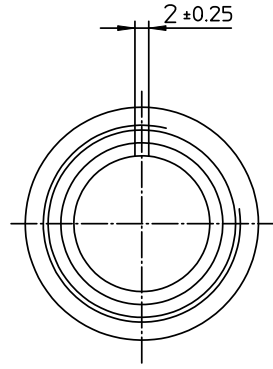
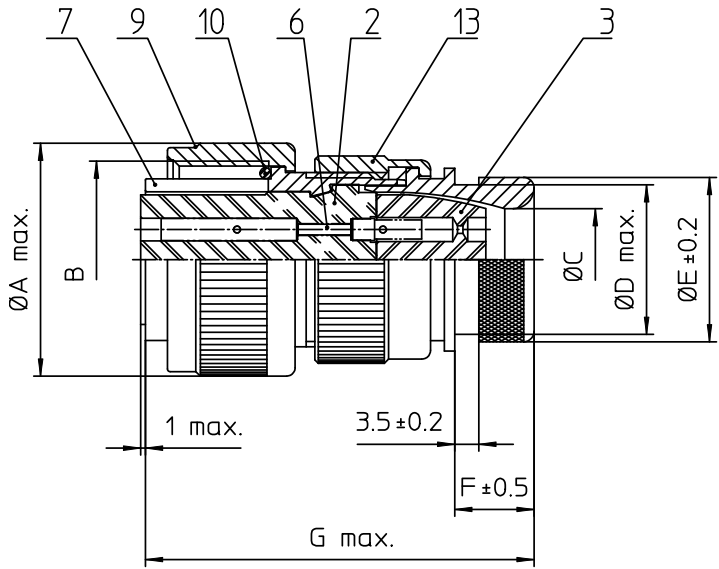
Stocking Distributor

Click to view price, real time Inventory, Delivery & Lifecycle Information:

[ITT Cannon, LLC](#)  
[CA3106E24-7SF80DN](#)

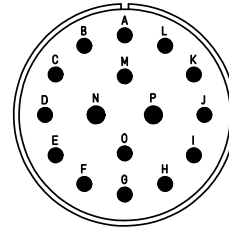
For any questions, you can email us directly:

[sales@integrated-circuit.com](mailto:sales@integrated-circuit.com)





| NO. | MASSE / DIMENSION |
|-----|-------------------|
| A   | 43.8              |
| B   | 1 1/2-18NEF-2B    |
| C   | 24.6              |
| D   | 34.5              |
| E   | 37.8              |
| F   | 12.7              |
| G   | 63                |

| NO. | BESCHREIBUNG / DESCRIPTION              |
|-----|---|
| 2   | ISOLIERKÖRPER BUCHSE / INSULATOR SOCKET |
| 3   | DICHTKÖRPER / GROMMET                   |
| 6   | KONTAKTBUCHSE / CONTACT SOCKET          |
| 7   | ZYLINDERGHÄUSE / BARREL                 |
| 9   | ÜBERWURFMUTTER / COUPLING NUT           |
| 10  | DICHTRING FRONT / FRONT SEALING RING    |
| 13  | ENDGEHÄUSE DN / ENDBELL HEATSHRINK      |



Note: Due to an automatic nomenclature system, numbers generated may not be sequential.  
Specification and Dimensions subject to change  
Drawings illustrate normal insulator positioning

| Material Specification: |  |
|-------------------------|--|
| Shell Material:         | Aluminium alloy                                  |
| Shell Plating:          | Olive drab chromate coating over cadmium plating |
| Insulator Material:     | Neoprene   |
| Contact Material:       | Copper alloy                                     |
| Contact Plating:        | Hard silver                                      |

| all dimensions are in mm   |  | Dimensions without tolerance indications are general tolerances in acc. with DIN7168m                                    | drawing for |
|--|--|--|-------------|
| <br><b>ITT</b><br>Engineered for life<br>ITT CANNON GmbH<br>62-7586 Weinstadt Germany |  | description  | CUSTOMER    |
|  |  | CA3106E24-7S-F80-DN<br>Plug, straight<br>Endbell for heatshrink boots<br>AWG Crimp / Socket / Layout: 24-7               |             |
| © All rights reserved. Reproduction or issue in any form<br>whatever is only permitted with written authorization of ITT Cannon  |  |  page 1/1<br>revision 377.3, Jul 16 |             |