



Excellent Integrated System Limited

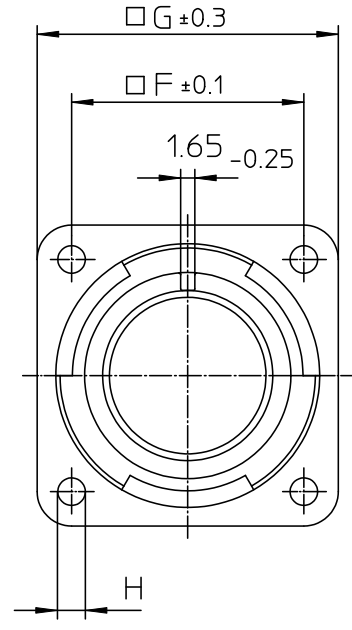
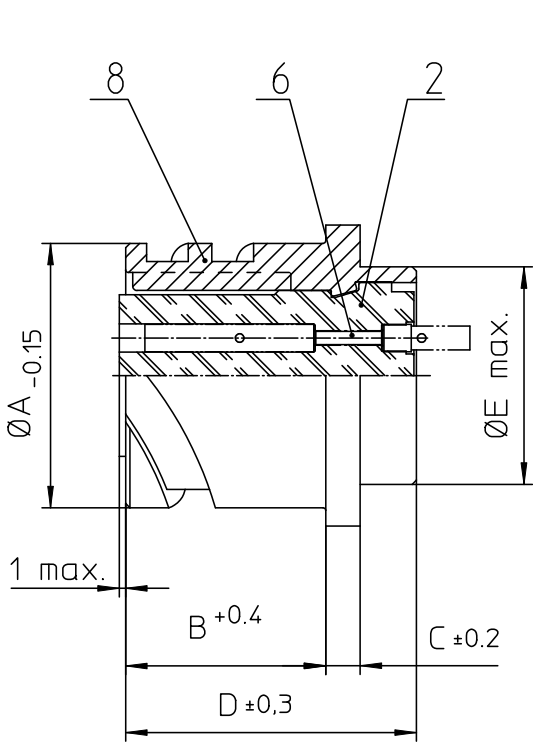
Stocking Distributor

Click to view price, real time Inventory, Delivery & Lifecycle Information:

[ITT Cannon, LLC](#)
[CA3102E36-10SXBF80A176](#)

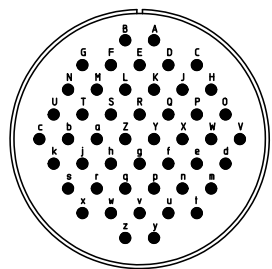
For any questions, you can email us directly:

sales@integrated-circuit.com



NO.	MASSE / DIMENSION
A	59.6
B	22.2
C	4
D	33.8
E	52.6
F	49.2
G	63.5
H	4.3

NO.	BESCHREIBUNG / DESCRIPTION
2	ISOLIERKÖRPER BUCHSE / INSULATOR SOCKET
6	KONTAKTBUCHSE / CONTACT SOCKET
8	DOSENGEHÄUSE / SHELL



Note: Due to an automatic nomenclature system, numbers generated may not be sequential.
 Specification and Dimensions subject to change
 Drawings illustrate normal insulator positioning

Material Specification:
 Shell Material: Aluminium alloy
 Shell Plating: Olive drab chromate over cadmium (conductive)
 Insulator Material: CR-Elastomere
 Contact Material: Copper alloy
 Contact Plating: Gold 0.5 µm

all dimensions are in mm
 Dimensions without tolerance indications are general tolerances in acc. with DIN7168m

description CA3102E36-10SXB-F80-A176
 Box mounting receptacle

AWG Crimp / Socket / Layout: 36-10

© All rights reserved. Reproduction or issue to third in any form without prior written authorization of ITT Cannon

drawing for CUSTOMER

ITT
 Engineered for life
 ITT CANNON GmbH
 D-71334 Heilbronn Germany

page 1/1 revision 786 4. Jul 16