



Excellent Integrated System Limited

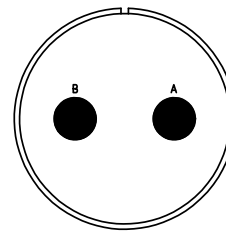
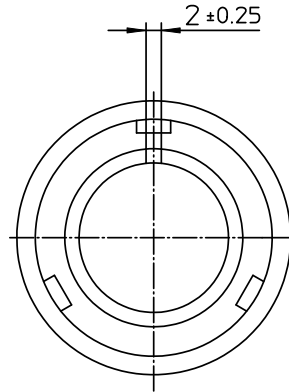
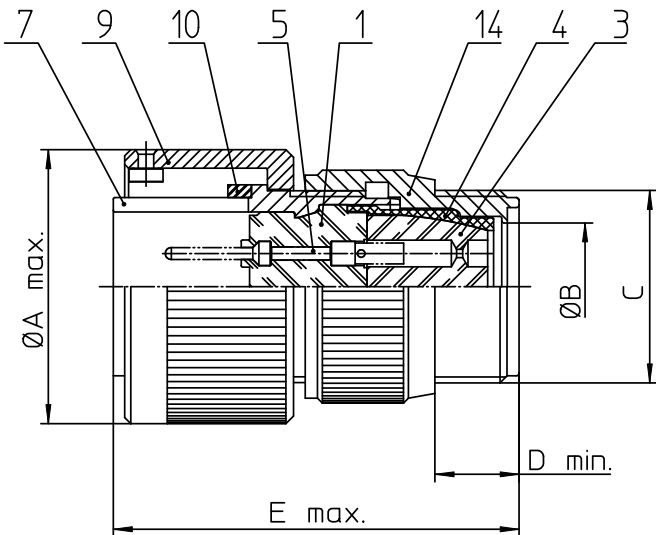
Stocking Distributor

Click to view price, real time Inventory, Delivery & Lifecycle Information:

[ITT Cannon, LLC](#)
[CA3106F24-9PYB](#)

For any questions, you can email us directly:

sales@integrated-circuit.com




NO.	MASSE / DIMENSION
A	46.6
B	25.4
C	1 7/16-18UNEF-2A
D	9.5
E	59

NO.	BESCHREIBUNG / DESCRIPTION
1	ISOLIERKÖRPER STIFT / INSULATOR PIN
3	DICHTKÖRPER / GROMMET
4	ENDRING / ENDRING
5	KONTAKTSTIFT / CONTACT PIN
7	ZYLINDERGHÄUSE / BARREL
9	ÜBERWURFMUTTER / COUPLING NUT
10	DICHTRING FRONT / FRONT SEALING RING
14	F-ENDGEHÄUSE / F-ENDBELL

Note: Due to an automatic nomenclature system, numbers generated may not be sequential.
Specification and Dimensions subject to change
Drawings illustrate normal insulator positioning

Material Specification:	
Shell Material:	Aluminium alloy
Shell Plating:	Olive drab chromate over cadmium (conductive)
Insulator Material:	CR-Elastomere
Contact Material:	Copper alloy
Contact Plating:	Hard silver

all dimensions are in mm		drawing for	
Dimensions without tolerance indications are general tolerances in acc. with DIN7168m		CUSTOMER	
 ITT <i>Engineered for life</i> <small>ITT CANNON GERMANY D-71334 Heimsheim Germany</small>	description CA3106F24-9PYB		
	Plug, straight		
	Endbell for flex tube		
Solder Cup / Pin / Layout: 24-9		page 1/1	revision 786.4, Jul 16
<small>© All rights reserved. Reproduction or use in third in any form without the written authorization of ITT Cannon</small>			