



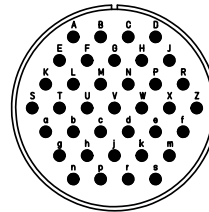
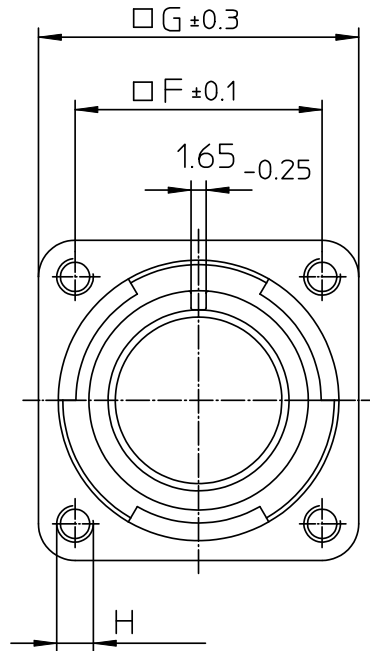
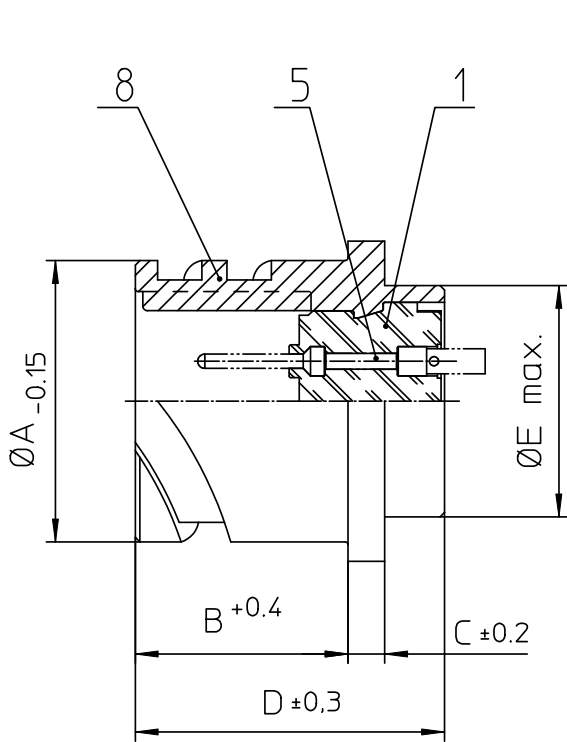
Excellent Integrated System Limited

Stocking Distributor

Click to view price, real time Inventory, Delivery & Lifecycle Information:

[ITT Cannon, LLC](#)
[CA3102E28-21PB111A176](#)

For any questions, you can email us directly:
sales@integrated-circuit.com



NO.	MASSE / DIMENSION
A	46.7
B	24.05
C	4
D	33.8
E	41.4
F	39.7
G	50.8
H	M5

NO.	BESCHREIBUNG / DESCRIPTION
1	ISOLIERKÖRPER STIFT / INSULATOR PIN
5	KONTAKTSTIFT/ CONTACT PIN
8	DOSENGEHÄUSE / SHELL

Note: Due to an automatic nomenclature system, numbers generated may not be sequential.
 Specification and Dimensions subject to change
 Drawings illustrate normal insulator positioning

Material Specification:	
Shell Material:	Aluminium alloy
Shell Plating:	Olive drab chromate over cadmium (conductive)
Insulator Material:	CR-Elastomere
Contact Material:	Copper alloy
Contact Plating:	Gold 0,5 µm

all dimensions are in mm
 Dimensions without tolerance indications are general tolerances in acc. with DIN7168m

ITT
 Engineered for life
 ITT CANNON GmbH
 D-71334 Heilbronn/Germany

description: CA3102E28-21P-B-111-A176
 Box mounting receptacle (rear mount, threaded holes)

Solder Cup / Pin / Layout: 28-21

© All rights reserved. Reproduction or issue to third in any form without prior written authorization of ITT Cannon

drawing for: CUSTOMER

page: 1/1
 revision: 786 4. Jul 16