



Excellent Integrated System Limited

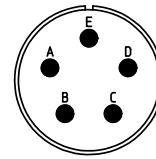
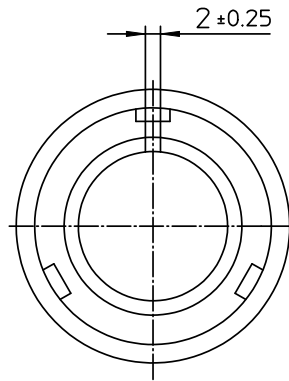
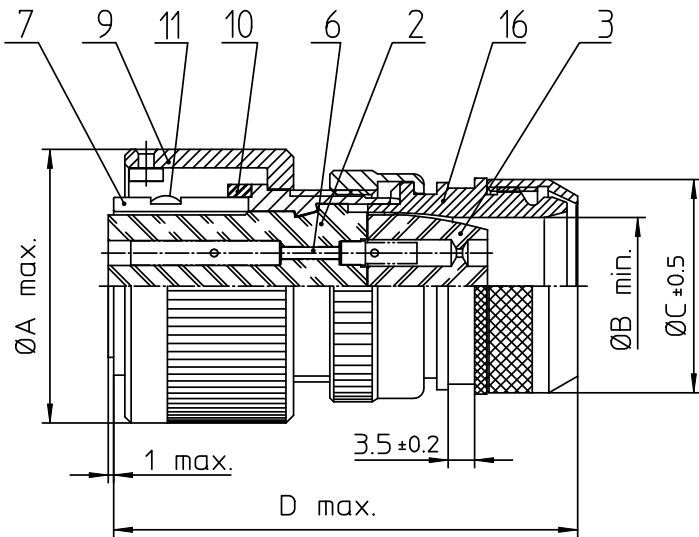
Stocking Distributor

Click to view price, real time Inventory, Delivery & Lifecycle Information:

[ITT Cannon, LLC](#)
[CA3106E18-11SB15F0](#)

For any questions, you can email us directly:

sales@integrated-circuit.com


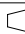


| NO. | MASSE / DIMENSION |
|-----|-------------------|
| A | 36.5 |
| B | 14.6 |
| C | 28 |
| D | 70 |

| NO. | BESCHREIBUNG / DESCRIPTION |
|-----|---|
| 2 | ISOLIERKÖRPER BUCHSE / INSULATOR SOCKET |
| 3 | DICHTKÖRPER / GROMMET |
| 6 | KONTAKTBUCHSE / CONTACT SOCKET |
| 7 | ZYLINDERGHÄUSE / BARREL |
| 9 | ÜBERWURFMUTTER / COUPLING NUT |
| 10 | DICHTRING FRONT / FRONT SEALING RING |
| 11 | SCHIRMKRANZ/SHIELDING BRAID |
| 16 | ENDGEHÄUSE GESCHIRMT / ENDBELL SHIELDED |

Note: Due to an automatic nomenclature system, numbers generated may not be sequential.
Specification and Dimensions subject to change
Drawings illustrate normal insulator positioning

| Material Specification: | |
|-------------------------|---|
| Shell Material: | Aluminium alloy |
| Shell Plating: | Olive drab chromate over cadmium (conductive) |
| Insulator Material: | CR-Elastomere |
| Contact Material: | Copper alloy |
| Contact Plating: | Hard silver |

| all dimensions are in mm | | Dimensions without tolerance indications are general tolerances in acc. with DIN7168m | drawing for CUSTOMER |
|--|---|--|---------------------------|
|  ITT Engineered for life <small>ITT CANNON GERMANY D-73308 Heimensteden</small> | description | CA3106E18-11S-B-15-F0 | |
| | | Plug, straight shielded Shielded with endbell for shielded braids & heat shrinkable boots AWG Crimp / Socket / Layout: 18-11 | |
| <small>© All rights reserved. Reproduction or issue in third in any form whenever is only permitted with written authorization of ITT Cannon</small> |  | page 1/1 | revision 786 4. Jul 16 |