



Distributor of ITT Cannon, LLC: Excellent Integrated System Limited

Datasheet of CA3106F28-15PA176 - CONN PLUG 35POS INLINE W/PINS

Contact us: sales@integrated-circuit.com Website: www.integrated-circuit.com

Excellent Integrated System Limited

Stocking Distributor

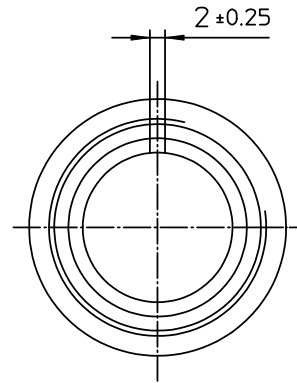
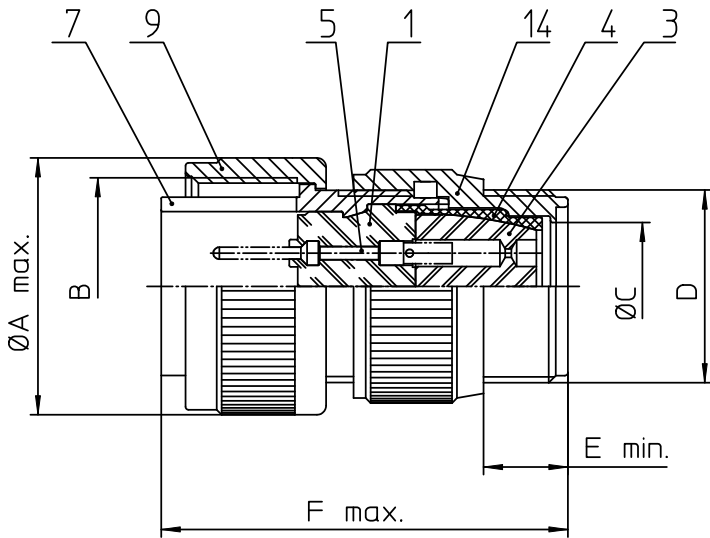
Click to view price, real time Inventory, Delivery & Lifecycle Information:

[ITT Cannon, LLC](#)

[CA3106F28-15PA176](#)

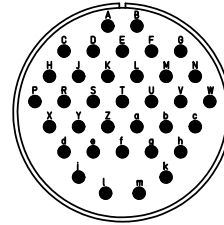
For any questions, you can email us directly:

sales@integrated-circuit.com



NO.	MASSE / DIMENSION
A	50.2
B	1 3/4-18NS-2B
C	27
D	1 7/16-18NEF-2A
E	9.5
F	60

NO.	BESCHREIBUNG / DESCRIPTION
1	ISOLIERKÖRPER STIFT / INSULATOR PIN
3	DICHTKÖRPER / GROMMET
4	ENDRING / ENDRING
5	KONTAKTSTIFT / CONTACT PIN
7	ZYLINDERGHÄUSE / BARREL
9	ÜBERWURFMUTTER / COUPLING NUT
14	F-ENDGEHÄUSE / F-ENDBELL



Note: Due to an automatic nomenclature system, numbers generated may not be sequential.

Specification and Dimensions subject to change
Drawings illustrate normal insulator positioning

Material Specification:
Shell Material: Aluminium alloy
Shell Plating: Olive drab chromate coating over cadmium plating
Insulator Material: Neoprene
Contact Material: Copper alloy
Contact Plating: Gold 0,5 & #956;

all dimensions are in mm
Dimensions without tolerance indications are general tolerances in acc. with DIN7168m

drawing for
CUSTOMER



description CA3106F28-15P-A176
Plug, straight
Endbell for flex tube
Solder Cup / Pin / Layout: 28-15

© All rights reserved. Reproduction or issue in third in any form
whatever is only permitted with written authorization of ITT Cannon

page 1/1 revision 377 3. Jul 16