



Excellent Integrated System Limited

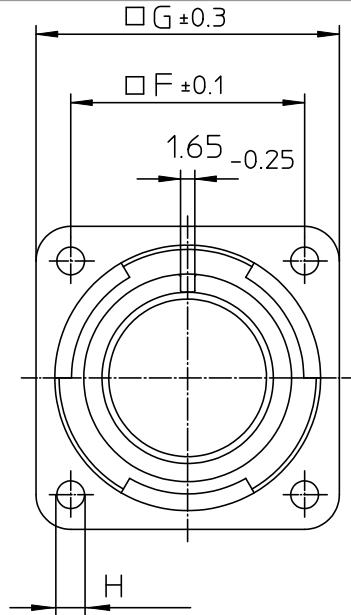
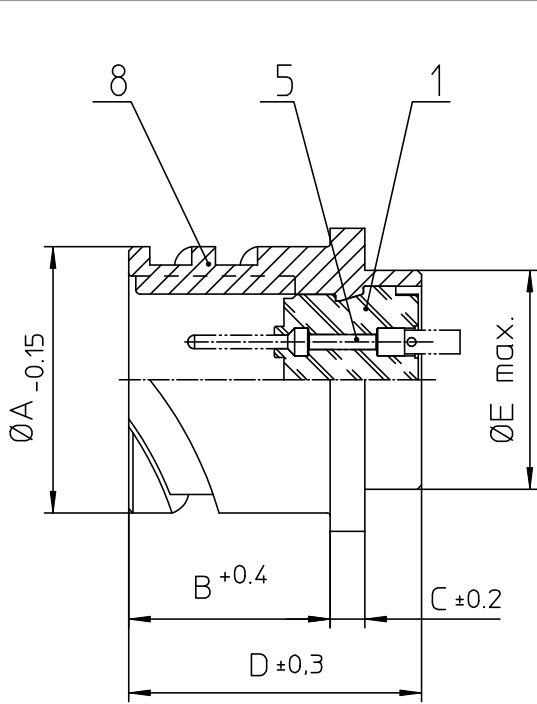
Stocking Distributor

Click to view price, real time Inventory, Delivery & Lifecycle Information:

[ITT Cannon, LLC](#)
[CA3102E36A46P-B-A176](#)

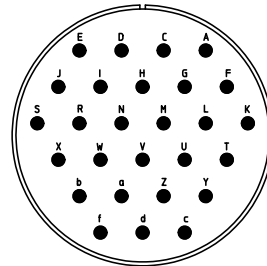
For any questions, you can email us directly:

sales@integrated-circuit.com



NO.	MASSE / DIMENSION
A	59.6
B	22.2
C	4
D	33.8
E	52.6
F	49.2
G	63.5
H	4.3

NO.	BESCHREIBUNG / DESCRIPTION
1	ISOLIERKÖRPER STIFT / INSULATOR PIN
5	KONTAKTSTIFT/ CONTACT PIN
8	DOSENGEHÄUSE / SHELL



Note: Due to an automatic nomenclature system, numbers generated may not be sequential.
Specification and Dimensions subject to change Drawings illustrate normal insulator positioning
Material Specification:
Shell Material: Aluminium alloy
Shell Plating: Olive drab chromate over cadmium (conductive)
Insulator Material: CR-Elastomere
Contact Material: Copper alloy
Contact Plating: Gold 0,5 µm

all dimensions are in mm Dimensions without tolerance indications are general tolerances in acc. with DIN7188m		drawing for CUSTOMER
 Engineered for life ITT CANNON GERMANY 27-17000 Westborough © All rights reserved. Reproduction or use in any form without the written authorization of ITT Cannon	description CA3102E36A46P-B-A176 Box mounting receptacle Solder Cup / Pin / Layout: 36A46	page 1/1 revision 786 4. Jul 16