



Distributor of ITT Cannon, LLC: Excellent Integrated System Limited

Datasheet of CA3101F22-14PB - CONN RCPT 19POS INLINE W/PINS

Contact us: sales@integrated-circuit.com Website: www.integrated-circuit.com

Excellent Integrated System Limited

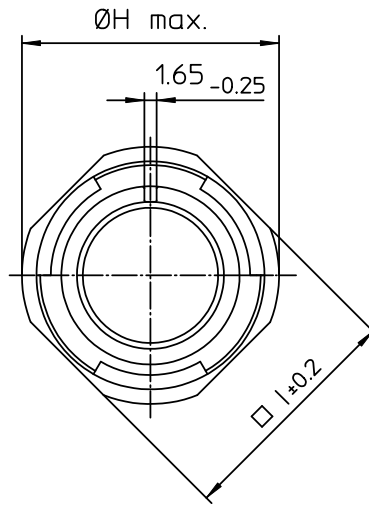
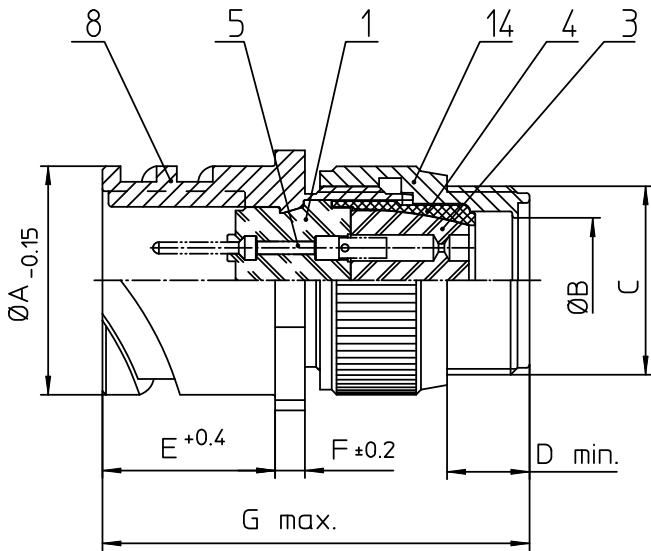
Stocking Distributor

Click to view price, real time Inventory, Delivery & Lifecycle Information:

[ITT Cannon, LLC](#)
[CA3101F22-14PB](#)

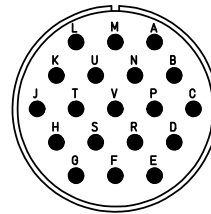
For any questions, you can email us directly:

sales@integrated-circuit.com





NO.	MASSE / DIMENSION
A	37.4
B	19.8
C	1 3/16-18UNEF-2A
D	9.5
E	23.05
F	4
G	62
H	41.1
I	38.1

NO.	BESCHREIBUNG / DESCRIPTION
1	ISOLIERKÖRPER STIFT / INSULATOR PIN
3	DICHTKÖRPER / GROMMET
4	ENDRING / ENDRING
5	KONTAKTSTIFT/ CONTACT PIN
8	DOSENGEHÄUSE / SHELL
14	F-ENDGEHÄUSE / F-ENDBELL



Note: Due to an automatic nomenclature system, numbers generated may not be sequential.
 Specification and Dimensions subject to change
 Drawings illustrate normal insulator positioning

Material Specification:	
Shell Material:	Aluminium alloy
Shell Plating:	Olive drab chromate over cadmium (conductive)
Insulator Material:	CR-Elastomere
Contact Material:	Copper alloy
Contact Plating:	Hard silver

all dimensions are in mm Dimensions without tolerance indications are general tolerances in acc. with DIN7168m		drawing for CUSTOMER
 ITT Engineered for life ITT CANNON GERMANY D-73308 Winnenden Germany	description	CA3101F22-14P-B
		Cable connecting plug
		Endbell for flex tube Solder Cup / Pin / Layout: 22-14
© All rights reserved. Reproduction or issue in any form whatever is only permitted with written authorization of ITT Cannon	 page 1/1	revision 786 4. Jul 16