



Excellent Integrated System Limited

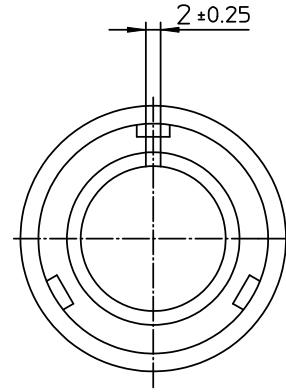
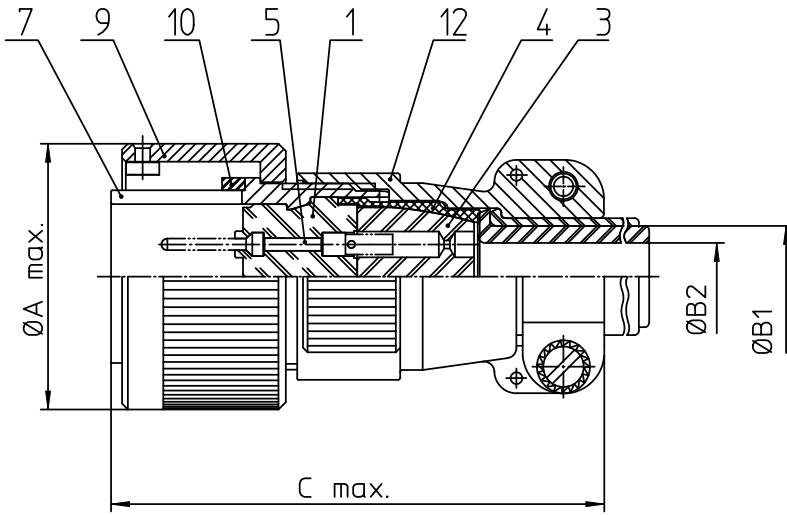
Stocking Distributor

Click to view price, real time Inventory, Delivery & Lifecycle Information:

[ITT Cannon, LLC](#)
[CA3106E28-15PXBF80](#)

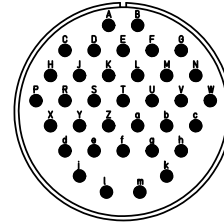
For any questions, you can email us directly:

sales@integrated-circuit.com



| NO. | MASSE / DIMENSION |
|-----|-------------------|
| A | 53.4 |
| B1 | 21.5 |
| B2 | 16.6 |
| C | 76 |

| NO. | BESCHREIBUNG / DESCRIPTION |
|-----|--------------------------------------|
| 1 | ISOLIERKÖRPER STIFT / INSULATOR PIN |
| 3 | DICKTKÖRPER / GROMMET |
| 4 | ENDRING / ENDRING |
| 5 | KONTAKTSTIFT/ CONTACT PIN |
| 7 | ZYLINDERGHÄUSE / BARREL |
| 9 | ÜBERWURFMUTTER / COUPLING NUT |
| 10 | DICHTRING FRONT / FRONT SEALING RING |
| 12 | ENDGEHÄUSE / ENDBELL |



Note: Due to an automatic nomenclature system, numbers generated may not be sequential.
 Specification and Dimensions subject to change
 Drawings illustrate normal insulator positioning

| Material Specification: | |
|-------------------------|---|
| Shell Material: | Aluminium alloy |
| Shell Plating: | Olive drab chromate over cadmium (conductive) |
| Insulator Material: | CR-Elastomere |
| Contact Material: | Copper alloy |
| Contact Plating: | Hard silver |

all dimensions are in mm
 Dimensions without tolerance indications are general tolerances in acc. with DIN7168m

drawing for
 CUSTOMER



description CA3106E28-15PXB-F80
 Plug, straight
 Endbell with clamp and bushing
 AWG Crimp / Pin / Layout: 28-15

© All rights reserved. Reproduction or issue to third in any form
 whatever is only permitted with written authorization of ITT Cannon

page 1/1

revision 786 4. Jul 16