



Excellent Integrated System Limited

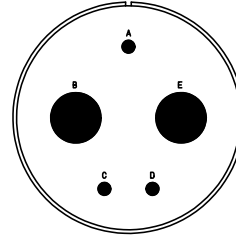
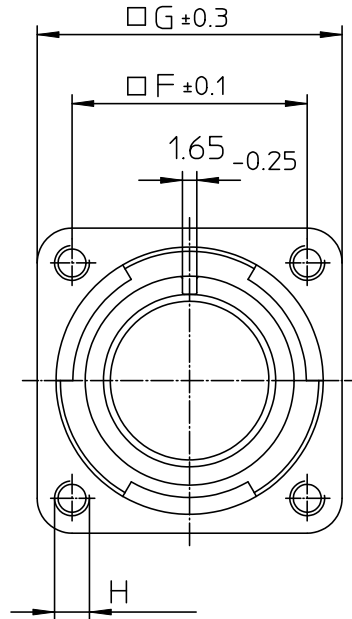
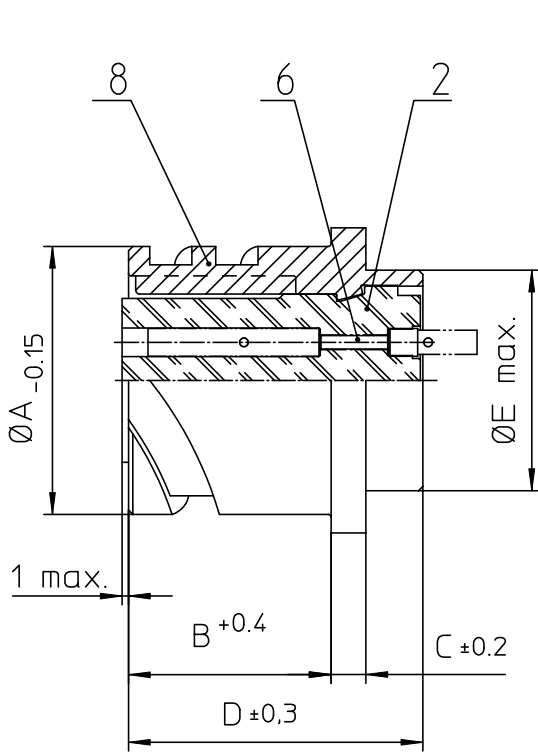
Stocking Distributor

Click to view price, real time Inventory, Delivery & Lifecycle Information:

[ITT Cannon, LLC](#)
[CA3102E32-1SB04](#)

For any questions, you can email us directly:

sales@integrated-circuit.com



NO.	MASSE / DIMENSION
A	53.4
B	24.05
C	4
D	33.8
E	47.8
F	44.5
G	57
H	M5

NO.	BESCHREIBUNG / DESCRIPTION
2	ISOLIERKÖRPER BUCHSE / INSULATOR SOCKET
6	KONTAKTBUCHSE / CONTACT SOCKET
8	DOSENGEHÄUSE / SHELL

Note: Due to an automatic nomenclature system, numbers generated may not be sequential.
Specification and Dimensions subject to change
Drawings illustrate normal insulator positioning

Material Specification:	
Shell Material:	Aluminium alloy
Shell Plating:	Olive drab chromate over cadmium (conductive)
Insulator Material:	CR-Elastomere
Contact Material:	Copper alloy
Contact Plating:	Hard silver

all dimensions are in mm Dimensions without tolerance indications are general tolerances in acc. with DIN7168m		drawing for CUSTOMER
<p>ITT Engineered for life ITT CANNON GMBH D-71364 Weinstadt/Germany</p>	description	CA3102E32-1S-B-04 Box mounting receptacle (rear mount, threaded holes)
		Metric Crimp / Socket / Layout: 32-1
<p>© All rights reserved. Reproduction or issue in any form without prior written authorization of ITT Cannon</p>	<p>page 1/1</p>	<p>revision 786 4. Jul 16</p>