



Excellent Integrated System Limited

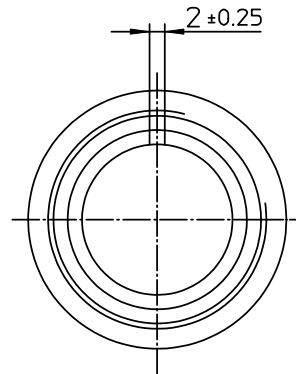
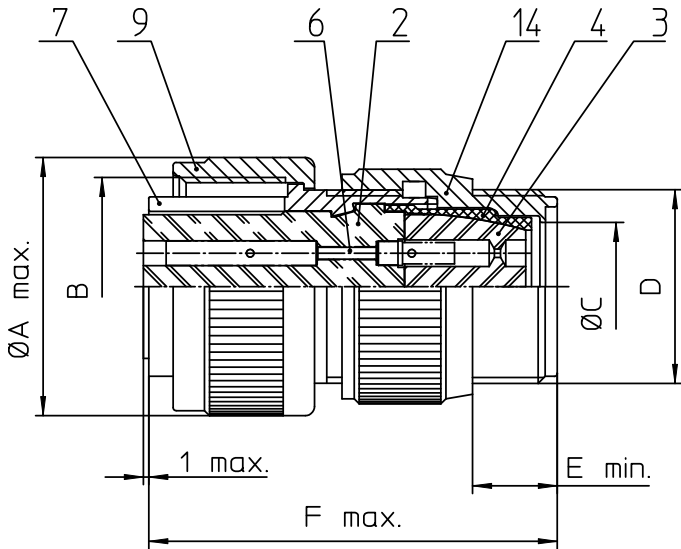
Stocking Distributor

Click to view price, real time Inventory, Delivery & Lifecycle Information:

[ITT Cannon, LLC](#)
[CA3106F20-19SA206](#)

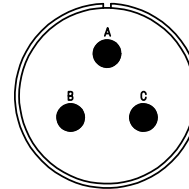
For any questions, you can email us directly:

sales@integrated-circuit.com




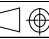
NO.	MASSE / DIMENSION
A	37.4
B	1 1/4-18NEF-2B
C	19.8
D	1 3/16-18NEF-2A
E	9.5
F	55

NO.	BESCHREIBUNG / DESCRIPTION
2	ISOLIERKÖRPER BUCHSE / INSULATOR SOCKET
3	DICHTKÖRPER / GROMMET
4	ENDRING / ENDRING
6	KONTAKTBUCHSE / CONTACT SOCKET
7	ZYLINDERGHÄUSE / BARREL
9	ÜBERWURFMUTTER / COUPLING NUT
14	F-ENDGEHÄUSE / F-ENDBELL



Note: Due to an automatic nomenclature system, numbers generated may not be sequential.
 Specification and Dimensions subject to change
 Drawings illustrate normal insulator positioning

Material Specification:	
Shell Material:	Aluminium alloy
Shell Plating:	Black Zinc Cobalt (conductive)
Insulator Material:	Neoprene
Contact Material:	Copper alloy
Contact Plating:	Hard silver

all dimensions are in mm Dimensions without tolerance indications are general tolerances in acc. with DIN7168m		drawing for CUSTOMER
 ITT Engineered for life <small>ITT CANNON GmbH D-71334 Wernau/Steinheim</small>	description	CA3106F20-19S-A206
		Plug, straight Endbell for flex tube Solder Cup / Socket / Layout: 20-19
<small>© All rights reserved. Reproduction or use in third in any form whatever is only permitted with written authorization of ITT Cannon</small>	 page 1/1 revision 377.3. Jul 16	