



Excellent Integrated System Limited

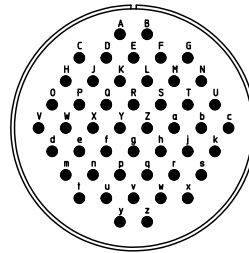
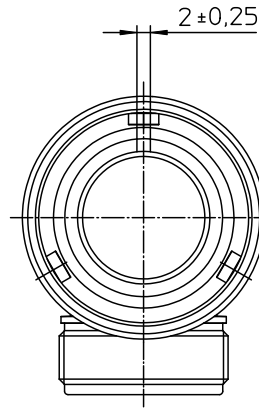
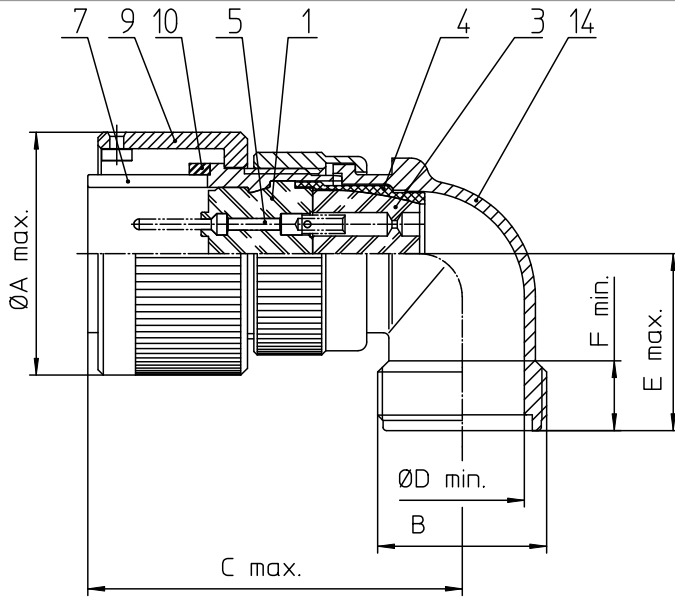
Stocking Distributor

Click to view price, real time Inventory, Delivery & Lifecycle Information:

[ITT Cannon, LLC](#)
[CA3108F36-10PB15F0](#)

For any questions, you can email us directly:

sales@integrated-circuit.com




NO.	MASSE / DIMENSION
A	66.3
B	2-18UNS-2A
C	75
D	43.5
E	45
F	12.6

NO.	BESCHREIBUNG / DESCRIPTION
1	ISOLIERKÖRPER STIFT / INSULATOR PIN
3	DICHTKÖRPER / GROMMET
4	ENDRING / ENDRING
5	KONTAKTSTIFT/ CONTACT PIN
7	ZYLINDERGHÄUSE / BARREL
9	ÜBERWURFMUTTER / COUPLING NUT
10	DICHTRING FRONT / FRONT SEALING RING
11	SCHIRMKRANZ/SHIELDING BRAID
14	F-ENDGEHÄUSE / F-ENDBELL

Note: Due to an automatic nomenclature system, numbers generated may not be sequential.
Specification and Dimensions subject to change
Drawings illustrate normal insulator positioning

Material Specification:	
Shell Material:	Aluminium alloy
Shell Plating:	Olive drab chromate over cadmium (conductive)
Insulator Material:	CR-Elastomere
Contact Material:	Copper alloy
Contact Plating:	Hard silver

all dimensions are in mm		drawing for	
Dimensions without tolerance indications are general tolerances in acc. with DIN7168m		CUSTOMER	
 ITT <i>Engineered for life</i> <small>ITT Cannon GmbH D-71334 Weinstadt/Germany</small>	description	CA3108F36-10P-B-15-F0	
	Plug, 90° shielded Shielded with endbell for shielded braids & heat shrinkable boots AWG Crimp / Pin / Layout: 36-10		
© All rights reserved. Reproduction or issue in any form without the written authorization of ITT Cannon.		page	revision
		1/1	786 4, Jul 16