



Distributor of ITT Cannon, LLC: Excellent Integrated System Limited

Datasheet of CA3108F32-15PBF80 - CONN PLUG 8POS RT ANG W/PINS

Contact us: sales@integrated-circuit.com Website: www.integrated-circuit.com

Excellent Integrated System Limited

Stocking Distributor

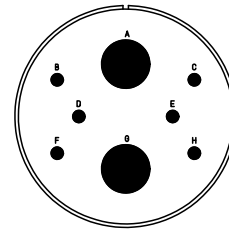
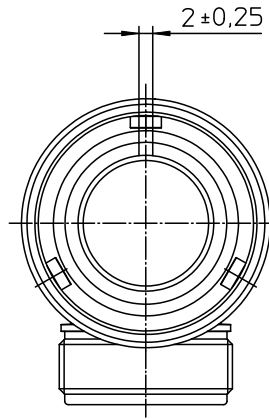
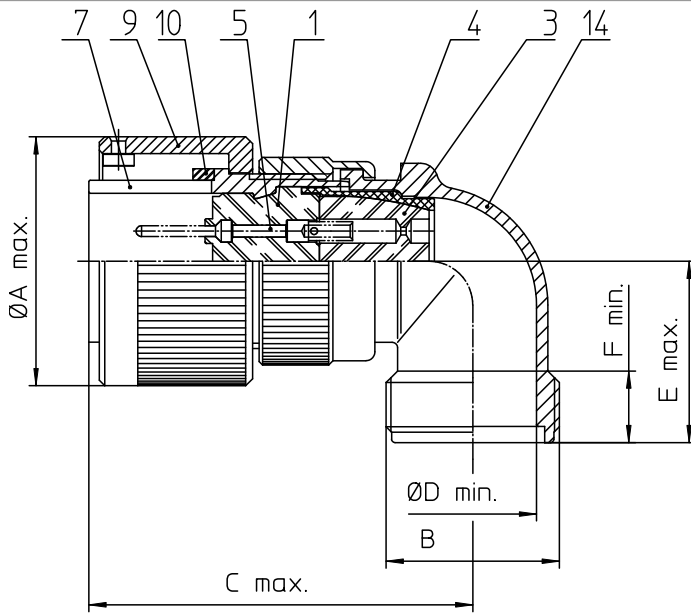
Click to view price, real time Inventory, Delivery & Lifecycle Information:

[ITT Cannon, LLC](#)

[CA3108F32-15PBF80](#)

For any questions, you can email us directly:

sales@integrated-circuit.com



NO.	MASSE / DIMENSION
A	60.1
B	1 3/4-18UNS-2A
C	72
D	37.4
E	39.5
F	11

NO.	BESCHREIBUNG / DESCRIPTION
1	ISOLIERKÖRPER STIFT / INSULATOR PIN
3	DICHTKÖRPER / GROMMET
4	ENDRING / ENDRING
5	KONTAKTSTIFT / CONTACT PIN
7	ZYLINDERGHÄUSE / BARREL
9	ÜBERWURFMUTTER / COUPLING NUT
10	DICHTRING FRONT / FRONT SEALING RING
14	F-ENDGEHÄUSE / F-ENDBELL

Note: Due to an automatic nomenclature system, numbers generated may not be sequential.
Specification and Dimensions subject to change
Drawings illustrate normal insulator positioning

Material Specification:	
Shell Material:	Aluminium alloy
Shell Plating:	Olive drab chromate over cadmium (conductive)
Insulator Material:	CR-Elastomere
Contact Material:	Copper alloy
Contact Plating:	Hard silver

all dimensions are in mm
Dimensions without tolerance indications are general tolerances in acc. with DIN7180m
drawing for CUSTOMER

 ITT <i>Engineered for life</i> <small>ITT CANON CORP 5-71385 Wiesloch/Germany</small>	description	CA3108F32-15P-B-F80
		Plug, 90° Endbell for flex tube AWG Crimp / Pin / Layout: 32-15

© All rights reserved. Reproduction or use in any form without the written authorization of ITT Cannon page 1/1 revision 796 4, Jul 16