



Excellent Integrated System Limited

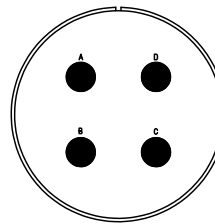
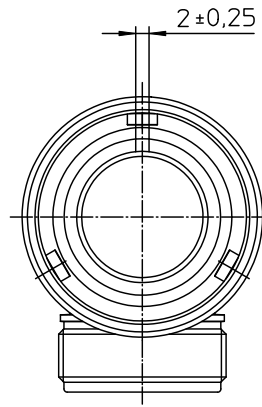
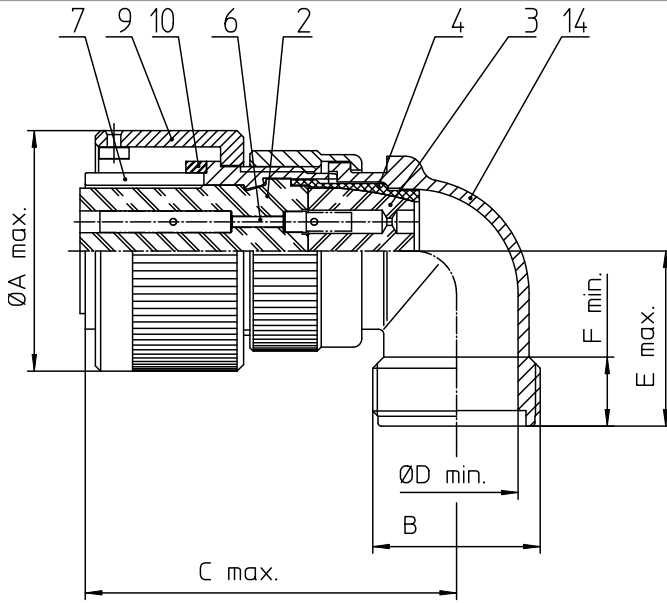
Stocking Distributor

Click to view price, real time Inventory, Delivery & Lifecycle Information:

[ITT Cannon, LLC](#)
[CA3108F32-17SWB15](#)

For any questions, you can email us directly:

sales@integrated-circuit.com




| NO. | MASSE / DIMENSION |
|-----|-------------------|
| A | 60.1 |
| B | 1 3/4-18UNS-2A |
| C | 72 |
| D | 37.4 |
| E | 39.5 |
| F | 11 |

| NO. | BESCHREIBUNG / DESCRIPTION |
|-----|---|
| 2 | ISOLIERKÖRPER BUCHSE / INSULATOR SOCKET |
| 3 | DICHTKÖRPER / GROMMET |
| 4 | ENDRING / ENDRING |
| 6 | KONTAKTBUCHSE / CONTACT SOCKET |
| 7 | ZYLINDERGHÄUSE / BARREL |
| 9 | ÜBERWURFMUTTER / COUPLING NUT |
| 10 | DICHTRING FRONT / FRONT SEALING RING |
| 11 | SCHIRMKRANZ/SHIELDING BRAID |
| 14 | F-ENDGEHÄUSE / F-ENDBELL |

Note: Due to an automatic nomenclature system, numbers generated may not be sequential.
Specification and Dimensions subject to change
Drawings illustrate normal insulator positioning

| Material Specification | |
|------------------------|---|
| Shell Material: | Aluminium alloy |
| Shell Plating: | Olive drab chromate over cadmium (conductive) |
| Insulator Material: | CR-Elastomere |
| Contact Material: | Copper alloy |
| Contact Plating: | Hard silver |

| all dimensions are in mm | | drawing for | |
|--|------------------------------------|---|---------------|
| Dimensions without tolerance indications are general tolerances in acc. with DIN7168m | | CUSTOMER | |
|  ITT Engineered for life ITT CANNON CORP 57381 Wendland Germany | description | CA3108F32-17SWB-15 | |
| | | Plug, 90° shielded | |
| | | Shielded with endbell for shielded braids & heat shrinkable boots | |
| | AWG Crimp / Socket / Layout: 32-17 | | |
| <small>© All rights reserved. Reproduction or issue to third in any form without the prior written authorization of ITT Cannon</small> | | page | revision |
| | | 1/1 | 788 4, Jul 16 |