



Distributor of ITT Cannon, LLC: Excellent Integrated System Limited

Datasheet of CA3101F36A46PB - CONN RCPT 27POS INLINE W/PINS

Contact us: sales@integrated-circuit.com Website: www.integrated-circuit.com

Excellent Integrated System Limited

Stocking Distributor

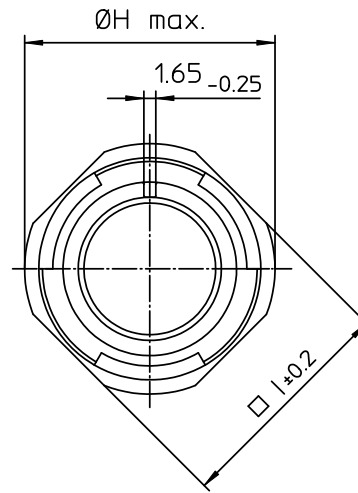
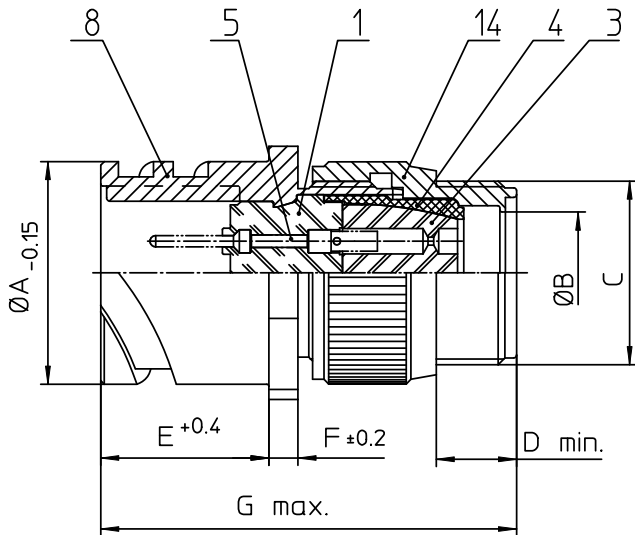
Click to view price, real time Inventory, Delivery & Lifecycle Information:

[ITT Cannon, LLC](#)

[CA3101F36A46PB](#)

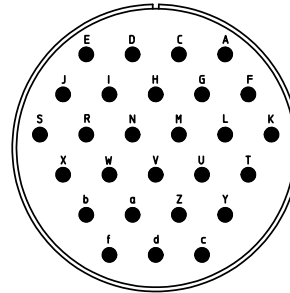
For any questions, you can email us directly:

sales@integrated-circuit.com



| NO. | MASSE / DIMENSION |
|-----|-------------------|
| A | 59.6 |
| B | 35.7 |
| C | 2-18UNS-2A |
| D | 11.8 |
| E | 24.05 |
| F | 4 |
| G | 66 |
| H | 63.6 |
| I | 60.6 |

| NO. | BESCHREIBUNG / DESCRIPTION |
|-----|-------------------------------------|
| 1 | ISOLIERKÖRPER STIFT / INSULATOR PIN |
| 3 | DICHTKÖRPER / GROMMET |
| 4 | ENDRING / ENDRING |
| 5 | KONTAKTSTIFT/ CONTACT PIN |
| 8 | DOSENGEHÄUSE / SHELL |
| 14 | F-ENDGEHÄUSE / F-ENDBELL |



Note: Due to an automatic nomenclature system, numbers generated may not be sequential.
Specification and Dimensions subject to change
Drawings illustrate normal insulator positioning

| Material Specification: | |
|-------------------------|---|
| Shell Material: | Aluminium alloy |
| Shell Plating: | Olive drab chromate over cadmium (conductive) |
| Insulator Material: | CR-Elastomere |
| Contact Material: | Copper alloy |
| Contact Plating: | Hard silver |

all dimensions are in mm
Dimensions without tolerance indications are general tolerances in acc. with DIN7168m
drawing for CUSTOMER



Engineered for life
ITT CANNON GmbH
D-71284 Weinstadt-Göppingen

description CA3101F36A46P-B
Cable connecting plug
Endbell for flex tube
Solder Cup / Pin / Layout: 36A46

© All rights reserved. Reproduction or issue to third in any form
whenever is only permitted with written authorization of ITT Cannon
page 1/1
revision 786 4. Jul 16