

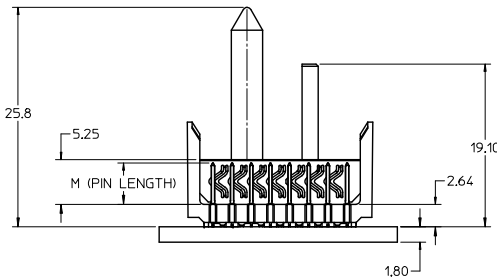
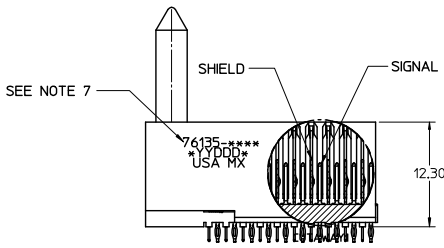
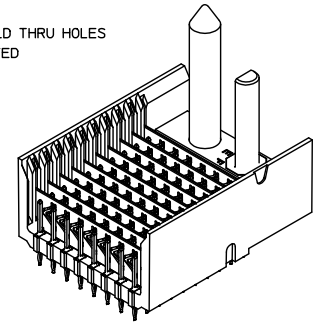
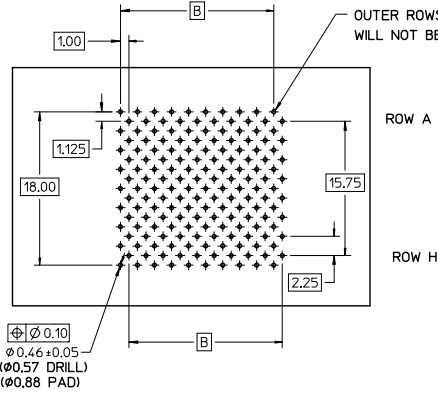
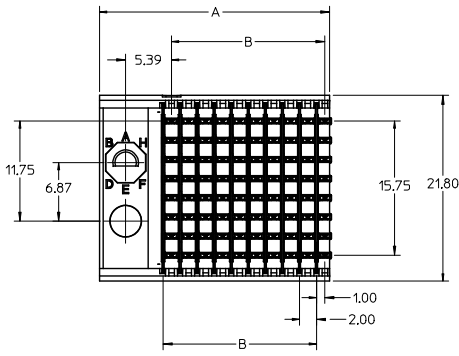
## **Excellent Integrated System Limited**

Stocking Distributor

Click to view price, real time Inventory, Delivery & Lifecycle Information:

[Molex Connector Corporation](#)  
[0761359001](#)

For any questions, you can email us directly:  
[sales@integrated-circuit.com](mailto:sales@integrated-circuit.com)



NOTES:

- MATERIALS:  
HOUSING - LIQUID CRYSTAL POLYMER (LCP)  
GLASS FILLED, UL94V-0, BLACK  
SIGNAL PIN AND SHIELD - COPPER ALLOY
- FINISHES:  
CONTACT AREA - SELECTIVE GOLD (Au)  
PCB TAILS - SELECTIVE MATTE TIN (Sn)
- THIS PART CONFORMS TO MOLEX PRODUCT SPECIFICATION PS-74031-999.
- FOR MIXED CONTACT LENGTH CONTACT MOLEX FOR AVAILABILITY.
- FOR SPECIFIC MATERIAL NUMBERS AND MATING INFORMATION REFER TO SHEET 2.
- PACKAGE PER PK-74061-003.
- ASSEMBLY WILL BE MARKED WITH P/N AND DATE CODE WITH LASER MARK ON SIDE OF HOUSING OR BY LABEL ON THE TUBE.
- MAPS (MOLEX ADVANCED PLATING SYSTEM).

THE PRIMARY CARTON WITH A LABEL STATING "ELV AND RoHS COMPLAINT" IS LEAD FREE. CARTONS WITHOUT THIS LABEL MAY CONTAIN LEAD.

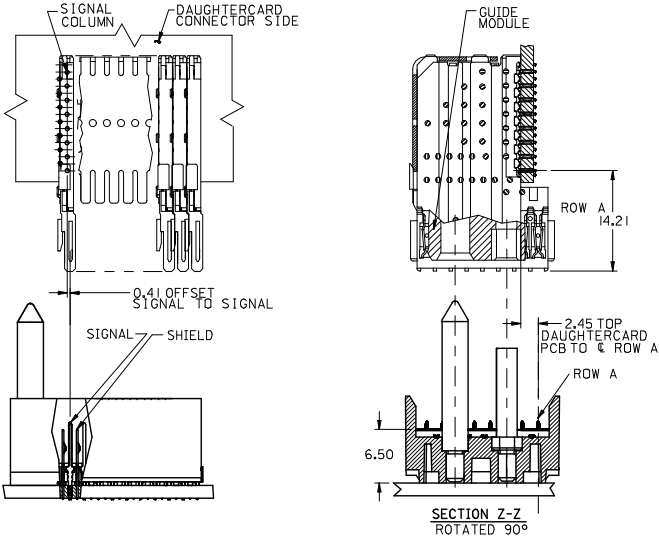
<b>LEAD FREE CONVERSION</b> EC NO: UCP2015-0687 DRWNS/DANIELLEY 2010/03/08 CHKD: JELTON 2010/03/08 APPR: SMILLER 2012/07/14	QUALITY SYMBOLS ∇=0 ∇=0 ∇=0	GENERAL TOLERANCES (UNLESS SPECIFIED)		DIMENSION STYLE		SCALE	DESIGN UNITS	THIRD ANGLE PROJECTION	
				MM ONLY		3:1	METRIC		
		4 PLACES ±	mm	INCH	DRAWN BY	DATE	TITLE		
		3 PLACES ±	---	---	JJONIAK	2008/04/11	VHDM H-SERIES 8 ROW SIGNAL END BACKPLANE SALES DRAWING		
2 PLACES ±	0.15	---	CHECKED BY	DATE					
1 PLACE ±	0.25	---	B INGHAM	2008/04/11					
0 PLACE ±	---	---	APPROVED BY	DATE					
	ANGULAR ±1/2°		MATERIAL NO.		DOCUMENT NO.		SHEET NO.		
DRAFT WHERE APPLICABLE MUST REMAIN WITHIN DIMENSIONS		SEE SHT.2		SD-76135-001		1 OF 2			
THIS DRAWING CONTAINS INFORMATION THAT IS PROPRIETARY TO MOLEX INCORPORATED AND SHOULD NOT BE USED WITHOUT WRITTEN PERMISSION									

M/N 76135-( )	---0*	---1*	---2*	---3*	---4*	---5*	---6*	---7*	---8*
KEYING PIN ORIENTATION									

76135 - \* \* \*

CONTACT LOAD  
(PIN HEIGHT)  
1 & 6 = 4.75  
2 & 7 = 6.25  
3 & 8 = 4.25  
4 & 9 = 5.15

NUMBER OF COLUMNS/PLATING  
10 = 10 COLUMN MATTE TIN (FORMERLY TIN/LEAD)  
25 = 25 COLUMN MATTE TIN (FORMERLY TIN/LEAD)  
60 = 10 COLUMN MATTE TIN  
75 = 25 COLUMN MATTE TIN  
90 = 10 COLUMN MATTE TIN  
85 = 25 COLUMN MATTE TIN



PART NUMBER	COLUMN	NUMBER OF SIGNAL PIN	NUMBER OF SHIELD	A	B	M	GOLD THICKNESS MICROMETER	TIN THICKNESS MICROMETER
76135-60*1	10	80	10	27.00	18.00	4.75	0.25 MAPS	0.76-152
76135-60*1							0.76	
76135-60*6							1.27	
76135-75*1	25	200	25	57.00	48.00	6.25	0.25 MAPS	
76135-75*1							0.76	
76135-75*6							1.27	
76135-60*2	10	80	10	27.00	18.00	4.25	0.25 MAPS	
76135-60*2							0.76	
76135-60*7							1.27	
76135-75*2	25	200	25	57.00	48.00	5.15	0.25 MAPS	
76135-75*2							0.76	
76135-75*7							1.27	
76135-60*3	10	80	10	27.00	18.00	4.75	0.25 MAPS	
76135-60*3							0.76	
76135-60*8							1.27	
76135-75*3	25	200	25	57.00	48.00	6.25	0.25 MAPS	
76135-75*3							0.76	
76135-75*8							1.27	
76135-60*4	10	80	10	27.00	18.00	5.15	0.25 MAPS	
76135-60*4							0.76	
76135-60*9							1.27	
76135-75*4	25	200	25	57.00	48.00	4.75	0.25 MAPS	
76135-75*4							0.76	
76135-75*9							1.27	

SEE SHEET 1 IEC NO. UCP2013-0687 DRWNS:DANIELLEY 2010/03/08 CHKCD:HELTON 2010/03/08 APPR:SMILLER	QUALITY SYMBOLS	GENERAL TOLERANCES (UNLESS SPECIFIED)	DIMENSION STYLE	SCALE	DESIGN UNITS	THIRD ANGLE PROJECTION
	▽=0	mm INCH	MM ONLY	3:1	METRIC	
	▽=0.15	4 PLACES ± --- ± ---	DRAWN BY	DATE	TITLE	
	▽=0.25	3 PLACES ± --- ± ---	JJONIAK	2008/04/11	VHDM H-SERIES 8 ROW SIGNAL END BACKPLANE SALES DRAWING	
REV	DESCRIPTION	1 PLACE ± 0.25 ± ---	CHECKED BY	DATE		
		0 PLACE ± --- ± ---	B INGHAM	2008/04/11		
		ANGULAR ±1/2°	APPROVED BY	DATE		
		DRAFT WHERE APPLICABLE MUST REMAIN WITHIN DIMENSIONS	B INGHAM	2008/04/11		
			MATERIAL NO.	DOCUMENT NO.		
			SEE TABLE	SD-76135-001		
			THIS DRAWING CONTAINS INFORMATION THAT IS PROPRIETARY TO MOLEX INCORPORATED AND SHOULD NOT BE USED WITHOUT WRITTEN PERMISSION			
			SIZE			SHEET NO. 2 OF 2