

Excellent Integrated System Limited

Stocking Distributor

Click to view price, real time Inventory, Delivery & Lifecycle Information:

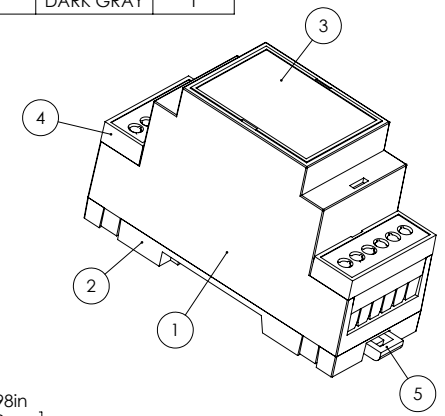
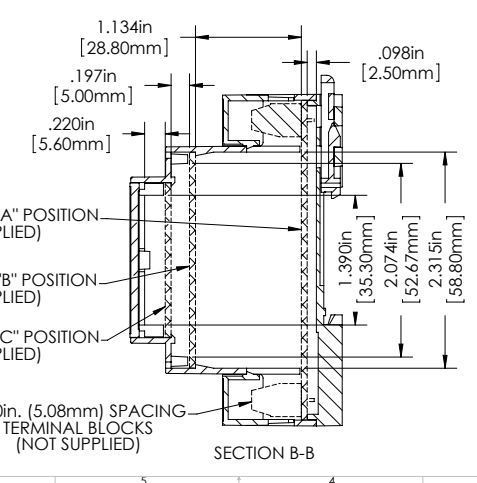
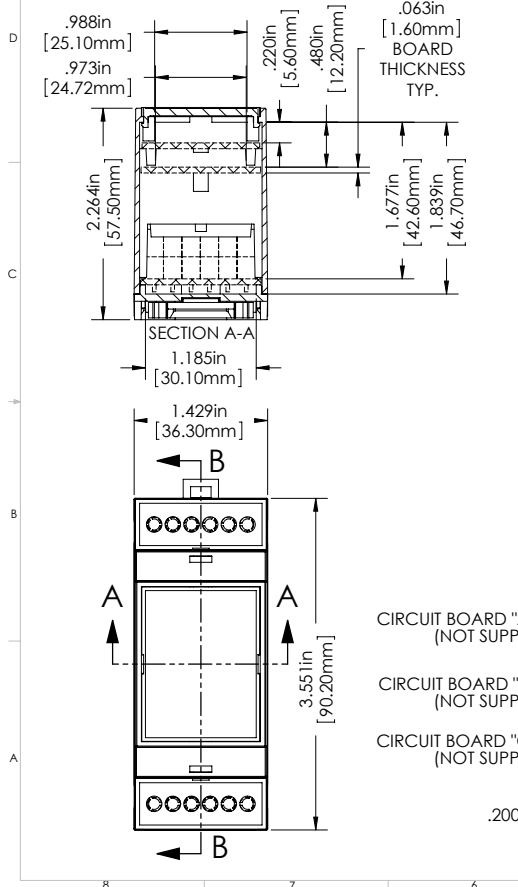
[BUD Industries, Inc.](#)
[DMB-4760-TG](#)

For any questions, you can email us directly:
sales@integrated-circuit.com

THE INFORMATION CONTAINED IN THIS DRAWING IS THE SOLE PROPERTY OF BUD INDUSTRIES INC. ANY REPRODUCTION IN PART OR WHOLE WITHOUT THE WRITTEN PERMISSION OF BUD INDUSTRIES INC. IS PROHIBITED.

ITEM NO.	DESCRIPTION	MATERIAL	COLOR	QTY.
1	BODY	PC/ABS UL94V-0	GRAY	1
2	BASE	PC/ABS UL94V-0	GRAY	1
3	COVER	PC/ABS UL94V-0	GRAY	1
4	GUARD	PC/ABS UL94V-0	GRAY	2
5	MOUNTING CLIP	NYLON 66	DARK GRAY	1

DWG. NO.	DMB-4770
ISSUE	REVISIONS
(A)	REVISIONS 12-6-10 DAB



OPTIONAL ACCESSORIES / REPLACEMENT PARTS	PART NUMBER
CLEAR POLYCARBONATE COVER	DMB-4770-CC
INFRA-RED COVER	DMB-4770-IRC
TERMINAL GUARD (PACK OF 2)	DMB-4760-TG
MOUNTING CLIP	DMB-4764-MC

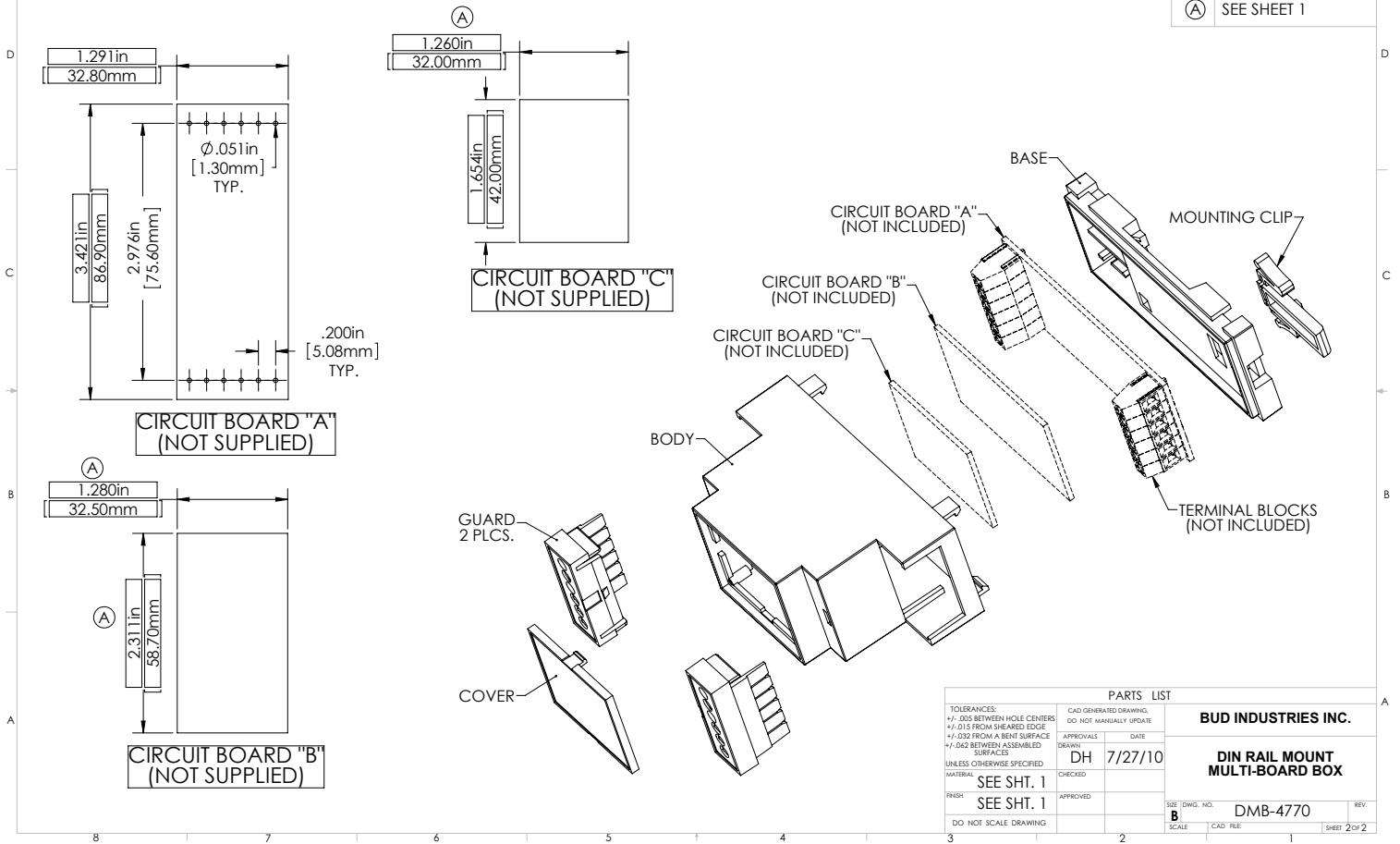
PARTS LIST	
TOLERANCES: +/- .005 BETWEEN HOLE CENTERS +/- .015 FROM A BENT SURFACE +/- .032 FROM A BENT SURFACE +/- .002 BETWEEN ASSEMBLED SURFACES UNLESS OTHERWISE SPECIFIED	CAD GENERATED DRAWING, DO NOT MANUALLY UPDATE
MATERIAL: AS NOTED	APPROVALS: DATE: 7/27/10
FINISH: AS NOTED	CHECKED: APPROVED:
DO NOT SCALE DRAWING	SCALE: CAD FILE:

BUD INDUSTRIES INC.	
DIN RAIL MOUNT MULTI-BOARD BOX	
SIZE: DWG. NO. DMB-4770	REV.
SCALE: SHEET 1 OF 2	

THE INFORMATION CONTAINED IN THIS DRAWING IS THE SOLE PROPERTY OF BUD INDUSTRIES INC. ANY REPRODUCTION IN PART OR WHOLE WITHOUT THE WRITTEN PERMISSION OF BUD INDUSTRIES INC. IS PROHIBITED.

DWG. NO. DMB-4770.

ISSUE	REVISIONS
(A)	SEE SHEET 1



PARTS LIST		BUD INDUSTRIES INC.	
TOLERANCES:	CAD GENERATED DRAWING, DO NOT MANUALLY UPDATE	DIN RAIL MOUNT MULTI-BOARD BOX	
+/- .005 BETWEEN HOLE CENTERS	APPROVALS		
+/- .015 FROM SHEARED EDGE	DH	7/27/10	
+/- .032 FROM A BENT SURFACE	CHECKED		
+/- .002 BETWEEN ASSEMBLED SURFACES	APPROVED		
UNLESS OTHERWISE SPECIFIED			
MATERIAL: SEE SHT. 1		SIZE (DWG. NO.)	DMB-4770
FINISH: SEE SHT. 1		SCALE	SHEET 2 of 2
DO NOT SCALE DRAWING			