



Distributor of ITT Cannon, LLC: Excellent Integrated System Limited

Datasheet of KPT02E12-3PEW - CONN RCPT 3POS W/PIN BOX

Contact us: sales@integrated-circuit.com Website: www.integrated-circuit.com

Excellent Integrated System Limited

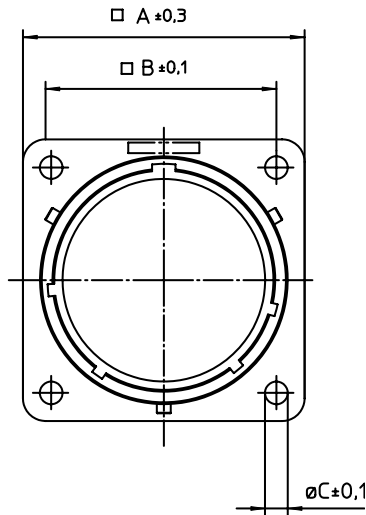
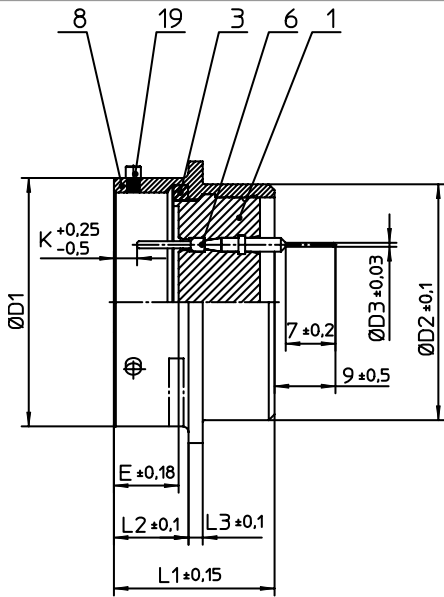
Stocking Distributor

Click to view price, real time Inventory, Delivery & Lifecycle Information:

[ITT Cannon, LLC](#)
[KPT02E12-3PEW](#)

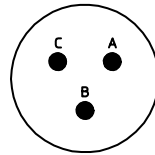
For any questions, you can email us directly:

sales@integrated-circuit.com



| NO. | MASSE / DIMENSION |
|-----|-------------------|
| A | 26.15 |
| B | 20.6 |
| C | 3.2 |
| D1 | 19.05 |
| D2 | 17.3 |
| D3 | 0.6 |
| E | 8.25 |
| K | 2.16 |
| L1 | 21.1 |
| L2 | 11.6 |
| L3 | 1.9 |

| NO. | BESCHREIBUNG / DESCRIPTION |
|-----|-------------------------------------|
| 1 | ISOLIERKÖRPER STIFT / INSULATOR PIN |
| 3 | DICHTRING / GASKET |
| 6 | KONTAKT STIFT / CONTACT PIN |
| 8 | GEHÄUSE / RECEPTACLE |
| 19 | BAYONETTSTIFT / BAYONET PIN |



Note: Due to an automatic nomenclature system, numbers generated may not be sequential.
Specification and Dimensions subject to change
Drawings illustrate normal insulator positioning

| Material Specification: | |
|-------------------------|--|
| Shell Material: | Aluminium alloy |
| Shell Plating: | Olive drab chromate over cadmium plating |
| Insulator Material: | Polychloroprene |
| Contact Material: | Copper alloy, gold plated |
| Contact Plating: | Copper alloy, gold plated |

all dimensions are in mm
Dimensions without tolerance indications are general tolerances in acc. with DIN7168m

drawing for
CUSTOMER



description KPT02E123PEW
Box mounting receptacle

Solder Pin 0.6 x 7 mm / Pin / Layout: 12-3

© All rights reserved. Reproduction or issue to third in any form
whatever is only permitted with written authorization of ITT Cannon



page 1/2
revision 1013.5, Jul.16