



Distributor of ITT Cannon, LLC: Excellent Integrated System Limited

Datasheet of KPT07A10-6SWEX - CONN RCPT 6POS W/SKT JAM NUT

Contact us: sales@integrated-circuit.com Website: www.integrated-circuit.com

Excellent Integrated System Limited

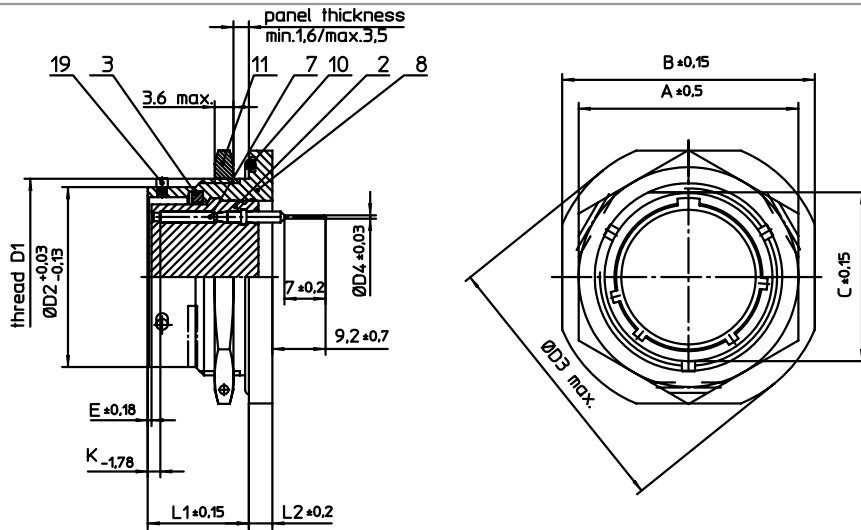
Stocking Distributor

Click to view price, real time Inventory, Delivery & Lifecycle Information:

[ITT Cannon, LLC](#)
[KPT07A10-6SWEX](#)

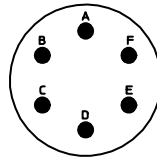
For any questions, you can email us directly:

sales@integrated-circuit.com



| NO. | MASSE / DIMENSION |
|-----|-------------------|
| A | 22 |
| B | 27 |
| C | 16.6 |
| D1 | 11/16-24UNEF-2A |
| D2 | 15 |
| D3 | 31 |
| D4 | 0.76 |
| E | 0.46 |
| K | 3.89 |
| L1 | 17.7 |
| L2 | 3.2 |

| NO. | BESCHREIBUNG / DESCRIPTION |
|-----|---|
| 2 | ISOLIERKÖRPER BUCHSE / INSULATOR SOCKET |
| 3 | DICHTRING / GASKET |
| 7 | KONTAKT BUCHSE / CONTACT SOCKET |
| 8 | GEHÄUSE / RECEPTACLE |
| 10 | O-RING / O-RING |
| 11 | SECHSKANTMUTTER / HEX NUT |
| 19 | BAYONETTSTIFT / BAYONET PIN |



Note: Due to an automatic nomenclature system, numbers generated may not be sequential.

Specification and Dimensions subject to change
Drawings illustrate normal insulator positioning

| Material Specification: | |
|-------------------------|--|
| Shell Material: | Aluminium alloy |
| Shell Plating: | Olive drab chromate over cadmium plating |
| Insulator Material: | Polychloroprene |
| Contact Material: | Copper alloy, gold plated |
| Contact Plating: | Copper alloy, gold plated |

all dimensions are in mm
Dimensions without tolerance indications are general tolerances in acc. with DIN7168m

drawing for
CUSTOMER



Engineered for life
ITT CANNON GmbH
D - 71384 Weinstadt/Germany

description KPT07A106SWEX
Jam nut receptacle
General duty
Solder Pin 0.76 x 7 mm / Socket / Layout: 10-6

© All rights reserved. Reproduction or issue to third in any form
whenever is only permitted with written authorization of ITT Cannon

page 1/2

revision 1013.5, Jul.16