

Excellent Integrated System Limited

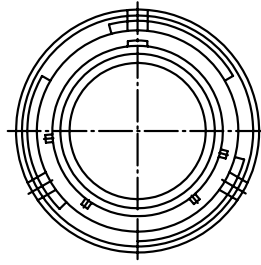
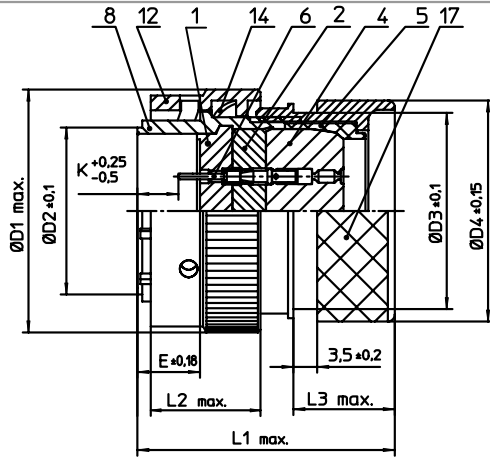
Stocking Distributor

Click to view price, real time Inventory, Delivery & Lifecycle Information:

[ITT Cannon, LLC](#)
[KPSE06E14-19PDF0](#)

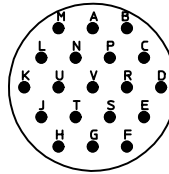
For any questions, you can email us directly:

sales@integrated-circuit.com



NO.	MASSE / DIMENSION
D1	30.1
D2	18.2
D3	22
D4	24.4
E	8.02
K	2.16
L1	36
L2	15.9
L3	12.2

NO.	BESCHREIBUNG / DESCRIPTION
1	ISOLIERKÖRPER STIFT / INSULATOR PIN
2	ISOLIERKÖRPER MITTE / WAVER
4	DICHTKÖRPER / GROMMET
5	ENDRING / ENDRING
6	KONTAKT STIFT / CONTACT PIN
8	GEHÄUSE / RECEPTACLE
12	ÜBERWURFMUTTER / COUPLING NUT
14	WELLFEDER / WASHER
17	ADAPTER / ADAPTER



Note: Due to an automatic nomenclature system, numbers generated may not be sequential.

Specification and Dimensions subject to change
Drawings illustrate normal insulator positioning

Material Specification:

Shell Material:	Aluminium alloy
Shell Plating:	Olive drab chromate over cadmium plating
Insulator Material:	Polychloroprene
Contact Material:	Copper alloy, gold plated
Contact Plating:	Copper alloy, gold plated

all dimensions are in mm

Dimensions without tolerance indications are general tolerances in acc. with DIN7168m

drawing for
CUSTOMER



description
KPSE06E1419P-DNF0
 Straight plug
 Shrink boot adapter
 Crimp Contacts / Pin / Layout: 14-19

© All rights reserved. Reproduction or issue to third in any form
 whoever is only permitted with written authorization of ITT Cannon

page 1/1
 revision 1012 5. Jul 16