



Excellent Integrated System Limited

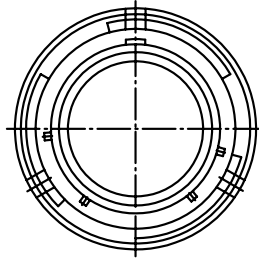
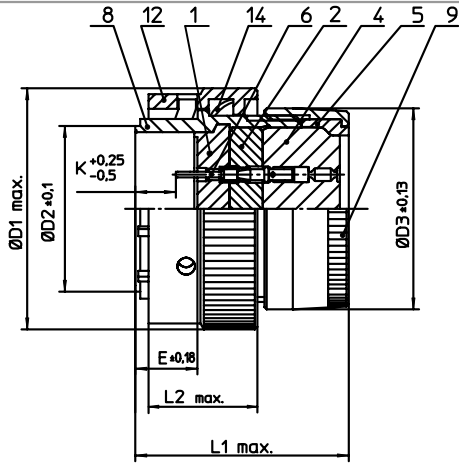
Stocking Distributor

Click to view price, real time Inventory, Delivery & Lifecycle Information:

[ITT Cannon, LLC](#)
[KPSE06E12-10PX](#)

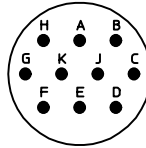
For any questions, you can email us directly:

sales@integrated-circuit.com




NO.	MASSE / DIMENSIO
D1	26.5
D2	15
D3	20.5
E	8.02
K	2.16
L1	34
L2	15.9

NO.	BESCHREIBUNG / DESCRIPTION
1	ISOLIERKÖRPER STIFT / INSULATOR PIN
2	ISOLIERKÖRPER MITTE / WAVER
4	DICHTKÖRPER / GROMMET
5	ENDRING / ENDRING
6	KONTAKT STIFT / CONTACT PIN
8	GEHÄUSE / RECEPTACLE
9	ENDGEHÄUSE / ENDBELL
12	ÜBERWURFMUTTER / COUPLING NUT
14	WELLFEDER / WASHER



Note: Due to an automatic nomenclature system, numbers generated may not be sequential.
 Specification and Dimensions subject to change
 Drawings illustrate normal insulator positioning

Material Specification:	
Shell Material:	Aluminium alloy
Shell Plating:	Olive drab chromate over cadmium plating
Insulator Material:	Polychloroprene
Contact Material:	Copper alloy, gold plated
Contact Plating:	Copper alloy, gold plated

all dimensions are in mm Dimensions without tolerance indications are general tolerances in acc. with DIN7168m		drawing for CUSTOMER
 ITT <i>Engineered for life</i> <small>ITT CANNON GmbH D - 71364 Weinstadt/Germany</small>	description KPSE06E1210PX Straight plug Grommet seal Crimp Contacts / Pin / Layout: 12-10	
	<small>© All rights reserved. Reproduction or issue to third in any form whatever is only permitted with written authorization of ITT Cannon</small>	page 1/1