



## **Excellent Integrated System Limited**

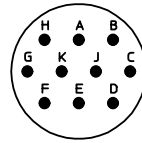
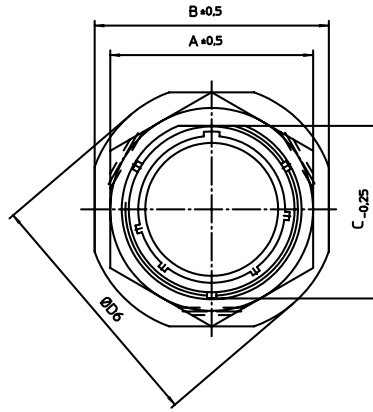
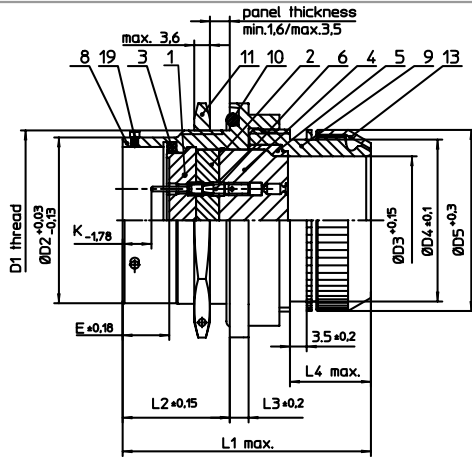
Stocking Distributor

Click to view price, real time Inventory, Delivery & Lifecycle Information:

[ITT Cannon, LLC](#)  
[KPSE7E12-10PDZ](#)

For any questions, you can email us directly:

[sales@integrated-circuit.com](mailto:sales@integrated-circuit.com)



NO.	MASSE / DIMENSION
A	27
B	32
C	20.75
D1	7/8-20UNEF-2A
D2	19.05
D3	12.5
D4	19.5
D5	22
D6	36
E	8.25
K	2.16
L1	49
L2	17.7
L3	3.2
L4	17

NO.	BESCHREIBUNG / DESCRIPTION
1	ISOLIERKÖRPER STIFT / INSULATOR PIN
2	ISOLIERKÖRPER MITTE / WAYER
3	DICHTRING / GASKET
4	DICHTKÖRPER / GROMMET
6	KONTAKT STIFT / CONTACT PIN
8	GEHÄUSE / RECEPTACLE
9	ENDGEHÄUSE / ENDBELL
10	O-RING / O-RING
11	SECHSKANTMUTTER / HEX NUT
19	BAYONETTSTIFT / BAYONET PIN

Note: Due to an automatic nomenclature system, numbers generated may not be sequential.  
Specification and Dimensions subject to change  
Drawings illustrate normal insulator positioning

Material Specification:	
Shell Material:	Aluminium alloy
Shell Plating:	Olive drab chromate over cadmium plating
Insulator Material:	Polychloroprene
Contact Material:	Copper alloy, gold plated
Contact Plating:	Copper alloy, gold plated

all dimensions are in mm Dimensions without tolerance indications are general tolerances in acc. with DIN7168m		drawing for CUSTOMER
<p>ITT Engineered for life ITT CANNON GmbH D-71364 Vaihingen/Germany</p>	description KPSE7E1210P-DZ Jam nut receptacle Endbell for shielding braids and shrink boots Crimp Contacts / Pin / Layout: 12-10	
	© All rights reserved. Reproduction or issue to third in any form whatever is only permitted with written authorization of ITT Cannon	page 1/1