



## **Excellent Integrated System Limited**

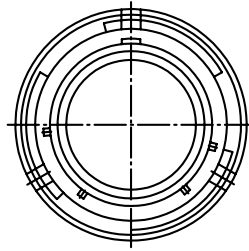
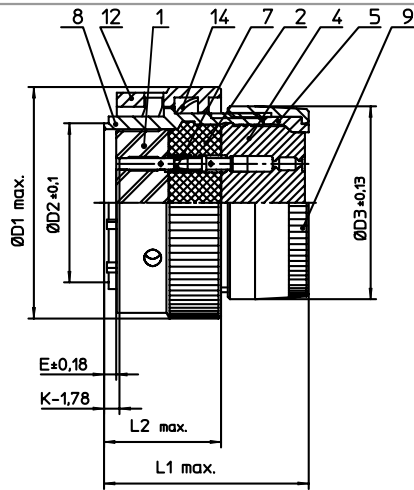
Stocking Distributor

Click to view price, real time Inventory, Delivery & Lifecycle Information:

[ITT Cannon, LLC](#)  
[KPSE06E20-16S](#)

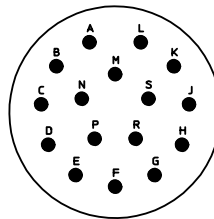
For any questions, you can email us directly:

[sales@integrated-circuit.com](mailto:sales@integrated-circuit.com)



| NO. | MASSE / DIMENSION |
|-----|-------------------|
| D1  | 39                |
| D2  | 27.1              |
| D3  | 32.9              |
| E   | 0.23              |
| K   | 5.46              |
| L1  | 34                |
| L2  | 15.9              |

| NO. | BESCHREIBUNG / DESCRIPTION              |
|-----|---|
| 1   | ISOLIERKÖRPER BUCHSE / INSULATOR SOCKET |
| 2   | ISOLIERKÖRPER MITTE / WAVER             |
| 4   | DICHTKÖRPER / GROMMET                   |
| 5   | ENDRING / ENDRING                       |
| 7   | KONTAKT BUCHSE / CONTACT SOCKET         |
| 8   | GEHÄUSE / RECEPTACLE                    |
| 9   | ENDGEHÄUSE / ENDBELL                    |
| 12  | ÜBERWURFMUTTER / COUPLING NUT           |
| 14  | WELLFEDER / WASHER                      |



Note: Due to an automatic nomenclature system, numbers generated may not be sequential.  
Specification and Dimensions subject to change  
Drawings illustrate normal insulator positioning


| Material Specification: |  |
|-------------------------|--|
| Shell Material:         | Aluminium alloy                          |
| Shell Plating:          | Olive drab chromate over cadmium plating |
| Insulator Material:     | Polychloroprene                          |
| Contact Material:       | Copper alloy, gold plated                |
| Contact Plating:        | Copper alloy, gold plated                |

all dimensions are in mm  
Dimensions without tolerance indications are general tolerances in acc. with DIN7168m

drawing for  
CUSTOMER



description  
KPSE06E2016S  
Straight plug  
Grommet seal  
Crimp Contacts / Socket / Layout: 20-16

© All rights reserved. Reproduction or issue to third in any form  
whenever is only permitted with written authorization of ITT Cannon  page 1/1 revision 1012 5, Jul 16