



## **Excellent Integrated System Limited**

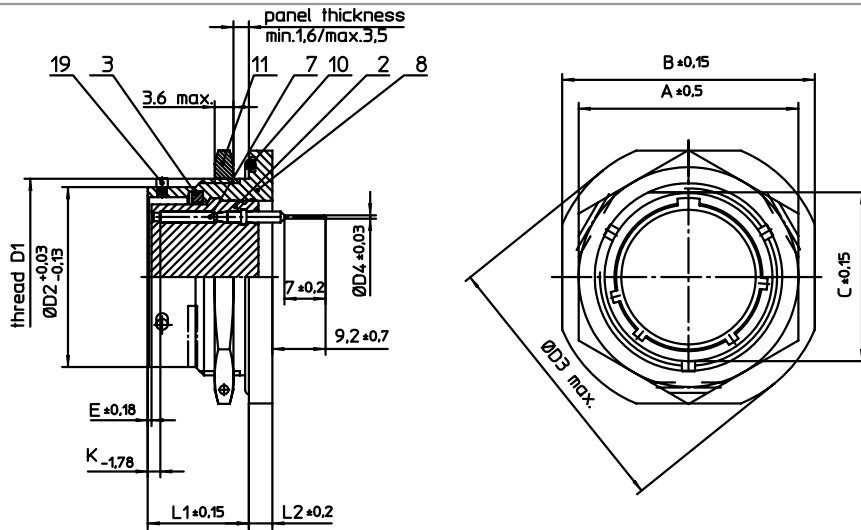
Stocking Distributor

Click to view price, real time Inventory, Delivery & Lifecycle Information:

[ITT Cannon, LLC](#)  
[KPT07A14-12SEW](#)

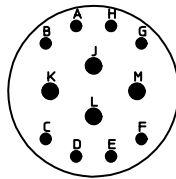
For any questions, you can email us directly:

[sales@integrated-circuit.com](mailto:sales@integrated-circuit.com)



| NO. | MASSE / DIMENSION |
|-----|-------------------|
| A   | 30,3              |
| B   | 35                |
| C   | 23,9              |
| D1  | 1-20UNEF-2A       |
| D2  | 22,23             |
| D3  | 39                |
| D4  | 0,6               |
| E   | 0,46              |
| K   | 3,89              |
| L1  | 17,7              |
| L2  | 3,2               |

| NO. | BESCHREIBUNG / DESCRIPTION              |
|-----|---|
| 2   | ISOLIERKÖRPER BUCHSE / INSULATOR SOCKET |
| 3   | DICHTRING / GASKET                      |
| 7   | KONTAKT BUCHSE / CONTACT SOCKET         |
| 8   | GEHÄUSE / RECEPTACLE                    |
| 10  | O-RING / O-RING                         |
| 11  | SECHSKANTMUTTER / HEX NUT               |
| 19  | BAYONETTSTIFT / BAYONET PIN             |



Note: Due to an automatic nomenclature system, numbers generated may not be sequential.  
Specification and Dimensions subject to change  
Drawings illustrate normal insulator positioning

|                         |  |
|-------------------------|--|
| Material Specification: |  |
| Shell Material:         | Aluminium alloy                          |
| Shell Plating:          | Olive drab chromate over cadmium plating |
| Insulator Material:     | Polychloroprene                          |
| Contact Material:       | Copper alloy, gold plated                |
| Contact Plating:        | Copper alloy, gold plated                |

all dimensions are in mm  
Dimensions without tolerance indications are general tolerances in acc. with DIN7168m

drawing for  
CUSTOMER



description KPT07A1412SEW  
Jam nut receptacle  
General duty  
Solder Pin 0.6 x 7 mm / Socket / Layout: 14-12

© All rights reserved. Reproduction or issue to third in any form  
whenever is only permitted with written authorization of ITT Cannon

page 1/2  
revision 1013.5, Jul.16