



Excellent Integrated System Limited

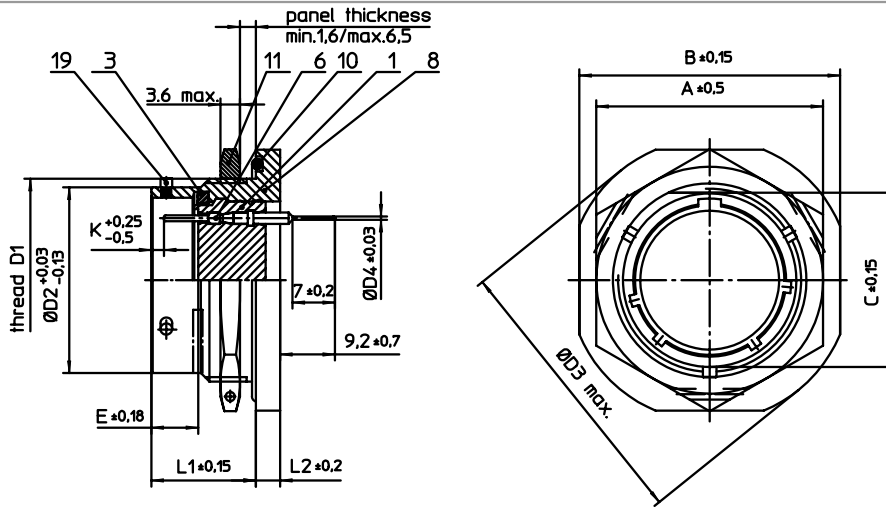
Stocking Distributor

Click to view price, real time Inventory, Delivery & Lifecycle Information:

[ITT Cannon, LLC](#)
[KPT7A20-16PEX](#)

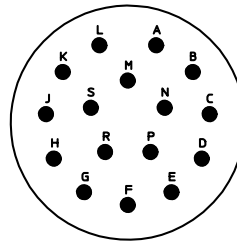
For any questions, you can email us directly:

sales@integrated-circuit.com




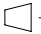
NO.	MASSE / DIMENSION
A	39.5
B	46
C	33.4
D1	1 3/8-18UNEF-2A
D2	31.75
D3	50
D4	0.76
E	9.82
K	3.73
L1	22.5
L2	4

NO.	BESCHREIBUNG / DESCRIPTION
1	ISOLIERKÖRPER STIFT / INSULATOR PIN
3	DICHTRING / GASKET
6	KONTAKT STIFT / CONTACT PIN
8	GEHÄUSE / RECEPTACLE
10	O-RING / O-RING
11	SECHSKANTMUTTER / HEX NUT
19	BAYONETTSTIFT / BAYONET PIN



Note: Due to an automatic nomenclature system, numbers generated may not be sequential.
Specification and Dimensions subject to change
Drawings illustrate normal insulator positioning

Material Specification:	
Shell Material:	Aluminium alloy
Shell Plating:	Olive drab chromate over cadmium plating
Insulator Material:	Polychloroprene
Contact Material:	Copper alloy, gold plated
Contact Plating:	Copper alloy, gold plated

all dimensions are in mm Dimensions without tolerance indications are general tolerances in acc. with DIN7168m		drawing for CUSTOMER	
 ITT <i>Engineered for life</i> ITT CANNON GmbH D - 71384 Weinstadt/Germany	description KPT7A2016PEX		
	Jam nut receptacle General duty Solder Pin 0.76 x 7 mm / Pin / Layout: 20-16		
© All rights reserved, Reproduction or issue to third in any form whenever is only permitted with written authorization of ITT Cannon		page 1/2	revision 1013 5. Jul 16