



## **Excellent Integrated System Limited**

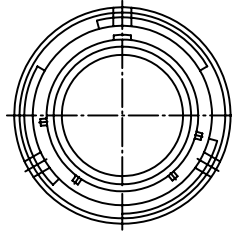
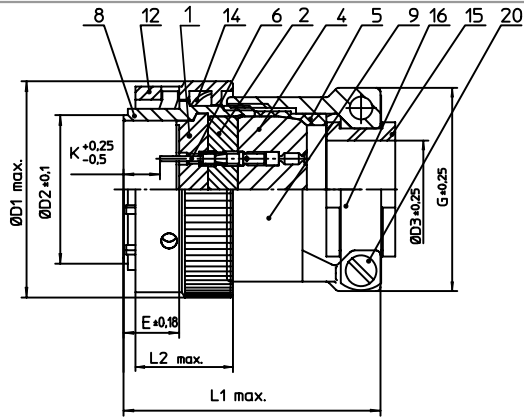
Stocking Distributor

Click to view price, real time Inventory, Delivery & Lifecycle Information:

[ITT Cannon, LLC](#)  
[KPSE06F18-32PX](#)

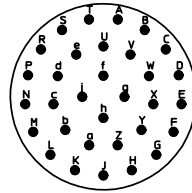
For any questions, you can email us directly:

[sales@integrated-circuit.com](mailto:sales@integrated-circuit.com)



NO.	MASSE / DIMENSION
D1	35.4
D2	23.9
D3	15.9
E	8.02
G	35
K	2.16
L1	58
L2	15.9

NO.	BESCHREIBUNG / DESCRIPTION
1	ISOLIERKÖRPER STIFT / INSULATOR PIN
2	ISOLIERKÖRPER MITTE / WAVER
4	DICHTKÖRPER / GROMMET
5	ENDRING / ENDRING
6	KONTAKT STIFT / CONTACT PIN
8	GEHÄUSE / RECEPTACLE
9	ENDGEHÄUSE / ENDBELL
12	ÜBERWURFMUTTER / COUPLING NUT
14	WELLFEDER / WASHER
15	KABELTÜLLE / BUSHING
16	KABELKLEMME / CABLE CLAMP
20	ZYLINDER-SCHRAUBE / CYLINDER HEAD SCREW



Note: Due to an automatic nomenclature system, numbers generated may not be sequential.  
Specification and Dimensions subject to change  
Drawings illustrate normal insulator positioning

Material Specification:	
Shell Material:	Aluminium alloy
Shell Plating:	Olive drab chromate over cadmium plating
Insulator Material:	Polychloroprene
Contact Material:	Copper alloy, gold plated
Contact Plating:	Copper alloy, gold plated

all dimensions are in mm Dimensions without tolerance indications are general tolerances in acc. with DIN7168m	drawing for CUSTOMER
 <b>ITT</b> <i>Engineered for life</i> <small>ITT CANNON GmbH D-71134 Weinstadt-Göppingen</small>	description KPSE06F1832PX Straight plug Grommet seal with strain relief Crimp Contacts / Pin / Layout: 18-32
<small>© All rights reserved. Reproduction or issue to third in any form whenever is only permitted with written authorization of ITT Cannon</small>	page 1/1 revision 1012.5, Jul 16