



Excellent Integrated System Limited

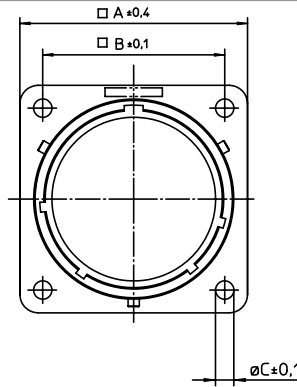
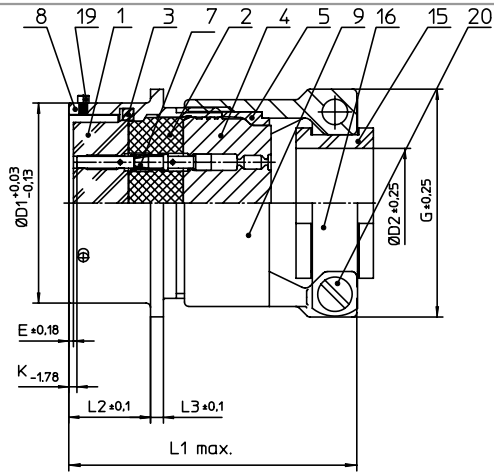
Stocking Distributor

Click to view price, real time Inventory, Delivery & Lifecycle Information:

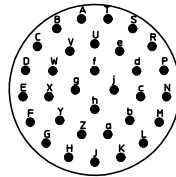
[ITT Cannon, LLC](#)
[KPSE00F18-32SX](#)

For any questions, you can email us directly:

sales@integrated-circuit.com



NO.	MASSE / DIMENSION
A	33.3
B	27
C	3.2
D1	28.58
D2	15.9
E	0.46
G	35
K	3.89
L1	56
L2	11.6
L3	1.9



NO.	BESCHREIBUNG / DESCRIPTION
1	ISOLIERKÖRPER BUCHSE / INSULATOR SOCKET
2	ISOLIERKÖRPER MITTE / WAVER
3	DICHTRING / GASKET
4	DICHTKÖRPER / GROMMET
5	ENDRING / ENDRING
7	KONTAKT BUCHSE / CONTACT SOCKET
8	GEHÄUSE / RECEPTACLE
9	ENDGEHÄUSE / ENDBELL
15	KABELTÜLLE / BUSHING
16	KABELKLEMME / CABLE CLAMP
19	BAYONETTSTIFT / BAYONET PIN
20	ZYLINDER-SCHRAUBE / CYLINDER HEAD SCREW

Note: Due to an automatic nomenclature system, numbers generated may not be sequential.
Specification and Dimensions subject to change
Drawings illustrate normal insulator positioning

Material Specification:	
Shell Material:	Aluminium alloy
Shell Plating:	Olive drab chromate over cadmium plating
Insulator Material:	Polychloroprene
Contact Material:	Copper alloy, gold plated
Contact Plating:	Copper alloy, gold plated

all dimensions are in mm
Dimensions without tolerance indications are general tolerances in acc. with DIN7168m

drawing for
CUSTOMER



description KPSE00F1832SX
Wall mounting receptacle
Grommet seal with strain relief
Crimp Contacts / Socket / Layout: 18-32

© All rights reserved. Reproduction or issue in third in any form
whenever it is only permitted with written authorization of ITT Cannon

page 1/1
revision 1012.5, Jul 16