



## **Excellent Integrated System Limited**

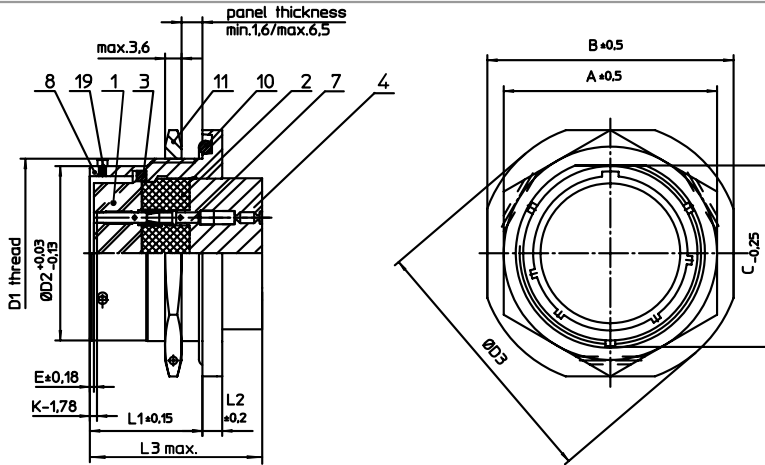
Stocking Distributor

Click to view price, real time Inventory, Delivery & Lifecycle Information:

[ITT Cannon, LLC](#)  
[KPSE07A20-41S](#)

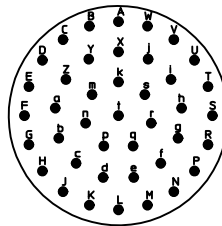
For any questions, you can email us directly:

[sales@integrated-circuit.com](mailto:sales@integrated-circuit.com)



| NO. | MASSE / DIMENSION |
|-----|-------------------|
| A   | 39.5              |
| B   | 46                |
| C   | 33.4              |
| D1  | 1 3/8-18UNEF-2A   |
| D2  | 31.75             |
| D3  | 50                |
| E   | 2.03              |
| K   | 5.46              |
| L1  | 30.5              |
| L2  | 4                 |
| L3  | 22.5              |

| NO. | BESCHREIBUNG / DESCRIPTION              |
|-----|---|
| 1   | ISOLIERKÖRPER BUCHSE / INSULATOR SOCKET |
| 2   | ISOLIERKÖRPER MITTE / WAVER             |
| 3   | DICHTRING / GASKET                      |
| 4   | DICHTKÖRPER / GROMMET                   |
| 7   | KONTAKT BUCHSE / CONTACT SOCKET         |
| 8   | GEHÄUSE / RECEPTACLE                    |
| 10  | O-RING / O-RING                         |
| 11  | SECHSKANTMUTTER / HEX NUT               |
| 19  | BAYONETTSTIFT / BAYONET PIN             |



Note: Due to an automatic nomenclature system, numbers generated may not be sequential.  
Specification and Dimensions subject to change  
Drawings illustrate normal insulator positioning

| Material Specification: |  |
|-------------------------|--|
| Shell Material:         | Aluminium alloy                          |
| Shell Plating:          | Olive drab chromate over cadmium plating |
| Insulator Material:     | Polychloroprene                          |
| Contact Material:       | Copper alloy, gold plated                |
| Contact Plating:        | Copper alloy, gold plated                |

all dimensions are in mm  
Dimensions without tolerance indications are general tolerances in acc. with DIN7168m

drawing for  
CUSTOMER



description KPSE07A2041S  
Jam nut receptacle  
General duty  
Crimp Contacts / Socket / Layout: 20-41

© All rights reserved. Reproduction or issue to third in any form  
whenever is only permitted with written authorization of ITT Cannon



page 1/1  
revision 1012 5. Jul 16