



Excellent Integrated System Limited

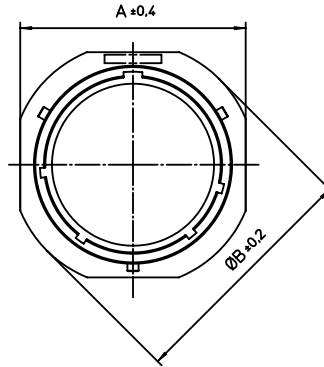
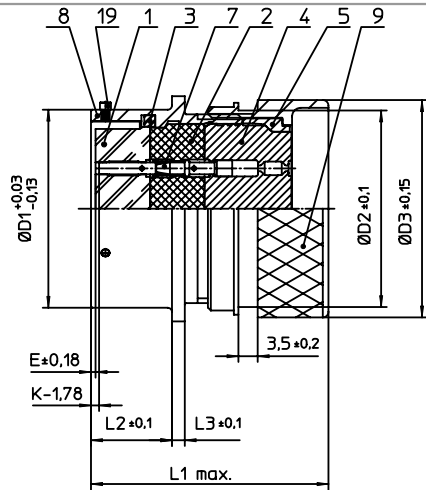
Stocking Distributor

Click to view price, real time Inventory, Delivery & Lifecycle Information:

[ITT Cannon, LLC](#)
[KPSE1E22-55SWDN](#)

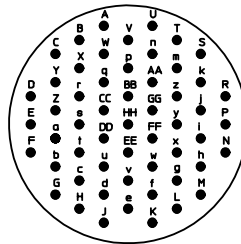
For any questions, you can email us directly:

sales@integrated-circuit.com



| NO. | MASSE / DIMENSION |
|-----|-------------------|
| A | 39.6 |
| B | 42.8 |
| D1 | 34.93 |
| D2 | 34.6 |
| D3 | 38.4 |
| E | 2.03 |
| K | 5.46 |
| L1 | 43 |
| L2 | 14.2 |
| L3 | 2.2 |

| NO. | BESCHREIBUNG / DESCRIPTION |
|-----|---|
| 1 | ISOLIERKÖRPER BUCHSE / INSULATOR SOCKET |
| 2 | ISOLIERKÖRPER MITTE / WAYER |
| 3 | DICHTRING / GASKET |
| 4 | DICHTKÖRPER / GROMMET |
| 5 | ENDRING / ENDRING |
| 7 | KONTAKT BUCHSE / CONTACT SOCKET |
| 8 | GEHÄUSE / RECEPTACLE |
| 9 | DN-ENDGEHÄUSE / DN-ENDBELL |
| 19 | BAYONETTSTIFT / BAYONET PIN |



Note: Due to an automatic nomenclature system, numbers generated may not be sequential.
Specification and Dimensions subject to change
Drawings illustrate normal insulator positioning

| | |
|-------------------------|--|
| Material Specification: | |
| Shell Material: | Aluminium alloy |
| Shell Plating: | Olive drab chromate over cadmium plating |
| Insulator Material: | Polychloroprene |
| Contact Material: | Copper alloy, gold plated |
| Contact Plating: | Copper alloy, gold plated |

all dimensions are in mm
Dimensions without tolerance indications are general tolerances in acc. with DIN7168m

drawing for
CUSTOMER



ITT

Engineered for life
ITT CANNON GmbH
D-71284 Weinstadt, Germany

description
KPSE1E2255SW-DN
Cable connecting plug
Shrink boot adapter
Crimp Contacts / Socket / Layout: 22-55

© All rights reserved. Reproduction or issue to third in any form
whenever is only permitted with written authorization of ITT Cannon



page 1/1
revision 1012.5, Jul 16