



Excellent Integrated System Limited

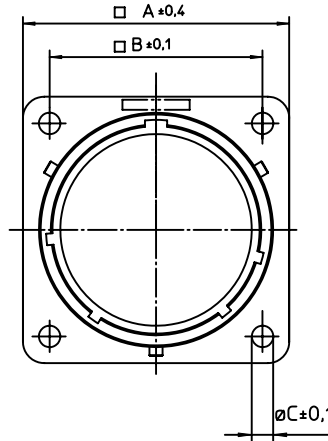
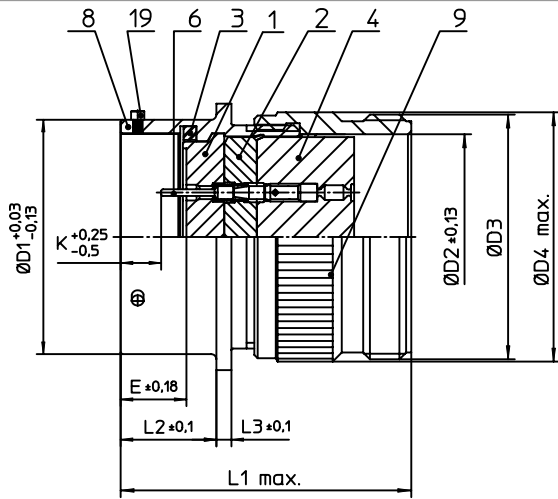
Stocking Distributor

Click to view price, real time Inventory, Delivery & Lifecycle Information:

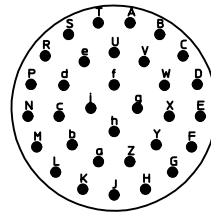
[ITT Cannon, LLC](#)
[KPSE00A18-32P](#)

For any questions, you can email us directly:

sales@integrated-circuit.com



| NO. | MASSE / DIMENSION |
|-----|-------------------|
| A | 33.3 |
| B | 27 |
| C | 3.2 |
| D1 | 28.58 |
| D2 | 24.2 |
| D3 | 1 3/16-18UNEF-2A |
| D4 | 30.9 |
| E | 8.25 |
| K | 2.16 |
| L1 | 37 |
| L2 | 11.6 |
| L3 | 1.9 |



| NO. | BESCHREIBUNG / DESCRIPTION |
|-----|-------------------------------------|
| 1 | ISOLIERKÖRPER STIFT / INSULATOR PIN |
| 2 | ISOLIERKÖRPER MITTE / WAVER |
| 3 | DICHTRING / GASKET |
| 4 | DICHTKÖRPER / GROMMET |
| 6 | KONTAKT STIFT / CONTACT PIN |
| 8 | GEHÄUSE / RECEPTACLE |
| 9 | ENDGEHÄUSE / ENDBELL |
| 19 | BAYONETTSTIFT / BAYONET PIN |

Note: Due to an automatic nomenclature system, numbers generated may not be sequential.
 Specification and Dimensions subject to change
 Drawings illustrate normal insulator positioning

| Material Specification: | |
|-------------------------|--|
| Shell Material: | Aluminium alloy |
| Shell Plating: | Olive drab chromate over cadmium plating |
| Insulator Material: | Polychloroprene |
| Contact Material: | Copper alloy, gold plated |
| Contact Plating: | Copper alloy, gold plated |

all dimensions are in mm
 Dimensions without tolerance indications are general tolerances in acc. with DIN7168m
 drawing for CUSTOMER



description KPSE00A1832P
 Wall mounting receptacle
 General duty
 Crimp Contacts / Pin / Layout: 18-32

© All rights reserved. Reproduction or issue to third in any form
 whatever is only permitted with written authorization of ITT Cannon
 page 1/1
 revision 1012 5. Jul 16