

Excellent Integrated System Limited

Stocking Distributor

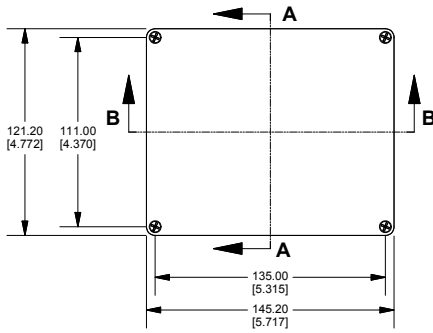
Click to view price, real time Inventory, Delivery & Lifecycle Information:

[Hammond Manufacturing](#)
[1590XX](#)

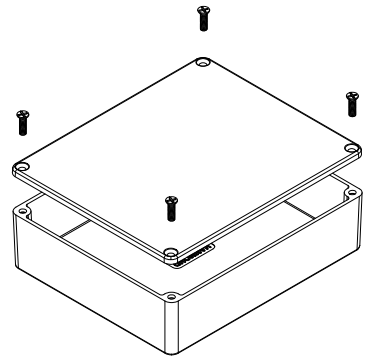
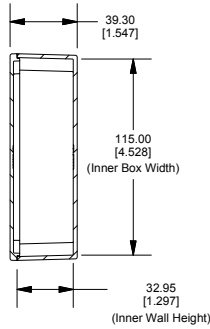
For any questions, you can email us directly:

sales@integrated-circuit.com

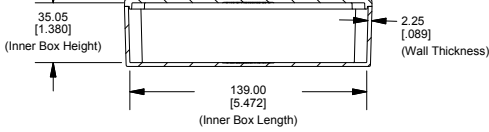
TOP VIEW OF ASSEMBLY



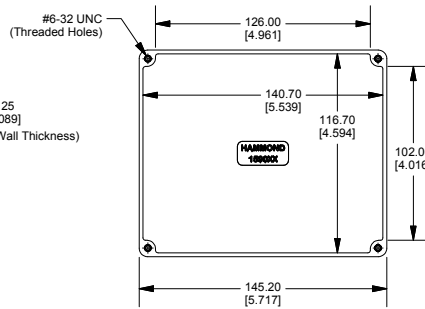
**SECTION A-A
END VIEW OF ASSEMBLY**



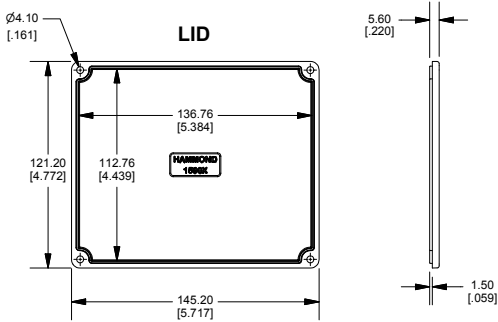
**SECTION B-B
SIDE VIEW OF ASSEMBLY**



TOP VIEW LOOKING INSIDE BOX



LID



Enclosures can be Factory Modified (Milling, Drilling, Printing etc.)
Contact Factory njm@hammondmfg.com for quotes
Solid models of this enclosure available in STEP or IGES.

NOTE	
Purchased assembly includes box, lid and 4 cover screws. Box and lid are made from Diecast Aluminum Alloy. Silicone Gasket supplied with liquid resistant enclosure.	
PART NUMBERS	
1590XX Enclosure	
Natural Finish Enclosure	1590XX
Black Textured Enclosure	1590XXBK
1590XX Liquid Resistant Enclosure (Silicone Gasket)	
Natural Finish Enclosure	1590WXX
Black Textured Enclosure	1590WXXBK
ACCESSORIES	
Recommended Torque: 75 ozf.in / 55 cN.m	
Liquid Resistant Cover Screws	
Stainless Steel Cover Screws (Pkg 100) [6-32 x 1/2" With O-Ring]	1590WMS100
Black Stainless Steel Cover Screws (Pkg 100) [6-32 x 1/2" With O-Ring]	1590WMS100BK
Standard Cover Screws	
Plated Cover Screws (Pkg 100) [6-32 x 1/2"]	1590MS100
Black Cover Screws (Pkg 100) [6-32 x 1/2"]	1590MS100BK

Dimensions:
mm
[inches]

**HAMMOND
MANUFACTURING™**

1590XX

www.hammondmfg.com