



Excellent Integrated System Limited

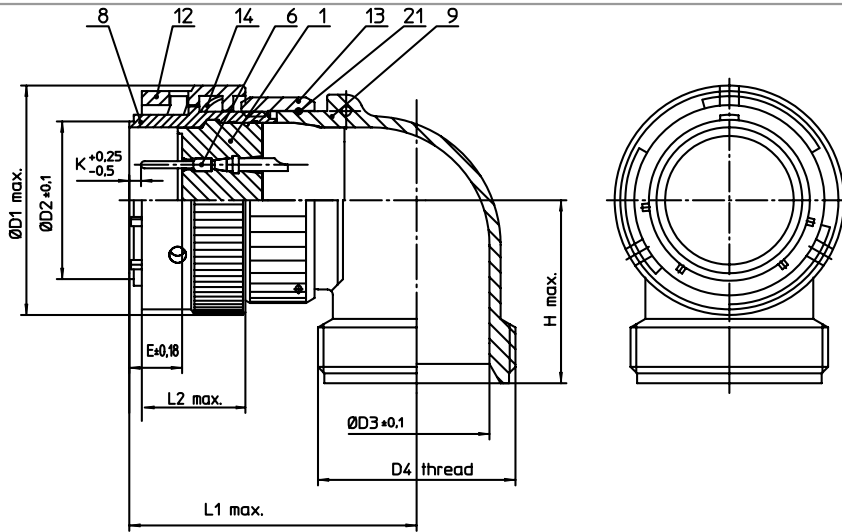
Stocking Distributor

Click to view price, real time Inventory, Delivery & Lifecycle Information:

[ITT Cannon, LLC](#)
[KPT08A22-36P](#)

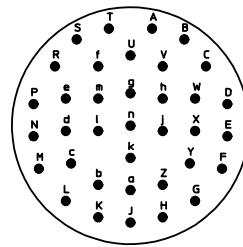
For any questions, you can email us directly:

sales@integrated-circuit.com




NO.	MASSE / DIMENSION
D1	42.1
D2	30.3
D3	26.4
D4	1 7/16-18UNEF-2A
E	8.02
H	31.7
K	5.46
L1	52.1
L2	15.9

NO.	BESCHREIBUNG / DESCRIPTION
1	ISOLIERKÖRPER STIFT / INSULATOR PIN
6	KONTAKT STIFT / CONTACT PIN
8	GEHÄUSE / RECEPTACLE
9	ENDGEHÄUSE / ENDBELL
12	ÜBERWURFMUTTER / COUPLING NUT
13	ÜBERWURFMUTTER F. ENDGEH. / COUPLING NUT
14	WELLFEDER / WASHER
21	DRAHT / FIXING WIRE



Note:	Due to an automatic nomenclature system, numbers generated may not be sequential.
	Specification and Dimensions subject to change Drawings illustrate normal insulator positioning
Material Specification:	
Shell Material:	Aluminium alloy
Shell Plating:	Olive drab chromate over cadmium plating
Insulator Material:	Polychloroprene
Contact Material:	Copper alloy, gold plated
Contact Plating:	Copper alloy, gold plated

all dimensions are in mm Dimensions without tolerance indications are general tolerances in acc. with DIN7168m		drawing for CUSTOMER
 ITT <i>Engineered for life</i> <small>ITT CANNON GmbH D-71334 Wernau/Germany</small>	description KPT08A2236P Plug with 90° termination General duty Solder Cup / Pin / Layout: 22-36	
	<small>© All rights reserved. Reproduction or issue to third in any form whoever is only permitted with written authorization of ITT Cannon</small>	