



**Distributor of ITT Cannon, LLC: Excellent Integrated System Limited**

Datasheet of KPT08E22-41P - CONN PLUG 41POS W/PIN INLINE R/A

Contact us: [sales@integrated-circuit.com](mailto:sales@integrated-circuit.com) Website: [www.integrated-circuit.com](http://www.integrated-circuit.com)

---

## **Excellent Integrated System Limited**

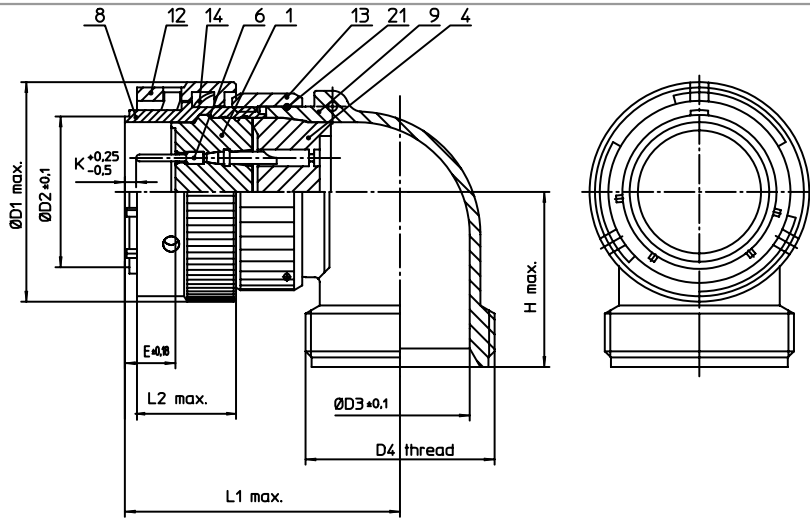
Stocking Distributor

Click to view price, real time Inventory, Delivery & Lifecycle Information:

[ITT Cannon, LLC](#)  
[KPT08E22-41P](#)

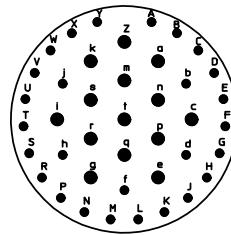
For any questions, you can email us directly:

[sales@integrated-circuit.com](mailto:sales@integrated-circuit.com)



| NO. | MASSE / DIMENSION |
|-----|-------------------|
| D1  | 42.1              |
| D2  | 30.3              |
| D3  | 26.4              |
| D4  | 1 7/16-18UNEF-2A  |
| E   | 8.02              |
| H   | 31.7              |
| K   | 5.46              |
| L1  | 52.1              |
| L2  | 15.9              |

| NO. | BESCHREIBUNG / DESCRIPTION               |
|-----|--|
| 1   | ISOLIERKÖRPER STIFT / INSULATOR PIN      |
| 4   | DICHTKÖRPER / GROMMET                    |
| 6   | KONTAKT STIFT / CONTACT PIN              |
| 8   | GEHÄUSE / RECEPTACLE                     |
| 9   | ENDGEHÄUSE / ENDBELL                     |
| 12  | ÜBERWURFMUTTER / COUPLING NUT            |
| 13  | ÜBERWURFMUTTER F. ENDGEH. / COUPLING NUT |
| 14  | WELLFEDER / WASHER                       |
| 21  | DRAHT / FIXING WIRE                      |



Note: Due to an automatic nomenclature system, numbers generated may not be sequential.

Specification and Dimensions subject to change  
Drawings illustrate normal insulator positioning

**Material Specification:**

|                     |  |
|---------------------|--|
| Shell Material:     | Aluminium alloy                          |
| Shell Plating:      | Olive drab chromate over cadmium plating |
| Insulator Material: | Polychloroprene                          |
| Contact Material:   | Copper alloy, gold plated                |
| Contact Plating:    | Copper alloy, gold plated                |

all dimensions are in mm  
Dimensions without tolerance indications are general tolerances in acc. with DIN7168m

drawing for  
CUSTOMER



description KPT08E2241P  
Plug with 90° termination  
Grommet seal  
Solder Cup / Pin / Layout: 22-41

© All rights reserved. Reproduction or issue to third in any form  
whenever is only permitted with written authorization of ITT Cannon

page  
1/1

revision  
1013 5. Jul 16