

## Excellent Integrated System Limited

Stocking Distributor

Click to view price, real time Inventory, Delivery & Lifecycle Information:

[Littelfuse](#)  
[LSCR002](#)

For any questions, you can email us directly:

[sales@integrated-circuit.com](mailto:sales@integrated-circuit.com)

# POWR-GARD® Blocks and Holders Datasheet

## LSCR SERIES HIGH-SPEED FUSE BLOCKS

700 Vac/dc • 1-800A



### Specifications

<b>Voltage Rating</b>	LSCR001: 700 V LSCR002: 700 V
<b>Ampere Ratings</b>	LSCR001: 1 – 400 A capacity LSCR002: 70 – 800 A capacity
<b>Approvals</b>	UL Recognized (File: E14721), CSA Certified (File: 73160)
<b>Stud Size</b>	LSCR001: ¼ -20 thread (Torque 61 in-lbs) LSCR002: ⅜ -16 thread (Torque 192 in-lbs)
<b>Material</b>	<b>Base:</b> Molded phenolic. 150° C temperature rating <b>Terminal Construction:</b> Plated steel. Supplied with nut and Belleville washer
<b>Environmental</b>	RoHS Compliant
<b>Country of Origin</b>	China

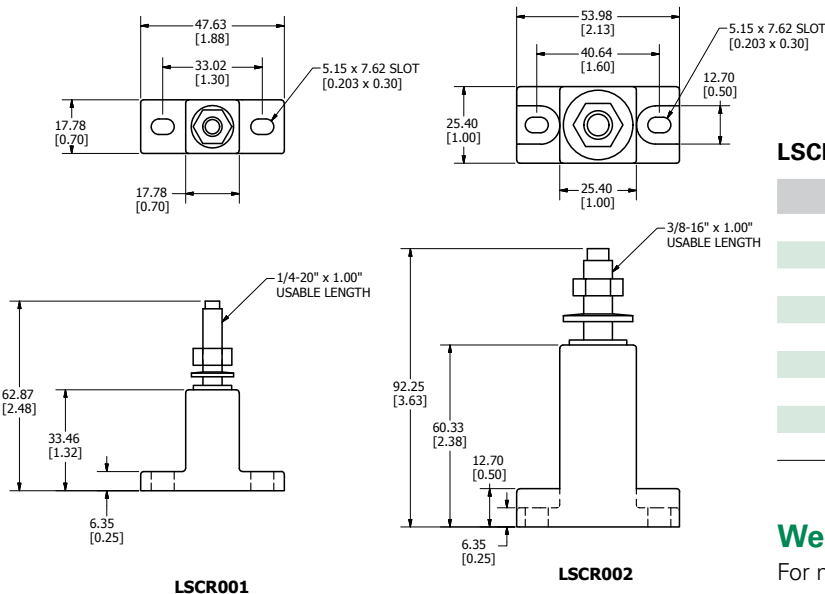
### Description

The LSCR Series are modular fuse blocks designed to accommodate a wide range of High-Speed and Class T fuses.

### Features/Benefits

- Modular design reduces inventory requirements
- Sold in pairs for convenience
- Constructed of molded phenolic (with plated steel studs)

### Dimensions mm (inches)



### Recommended Fuses

High-Speed and Class T fuses. See tables below.

#### LSCR001 High-Speed Fuse Block Selection Guide

FUSE SERIES	AMPERE RATINGS
L15S	70-400
L17T	70-250
L25S	35-200
L50S	35-200
L60S	35-200
KLC	35-60
L70S	35-100
JLLN	70-200
JLLS	70-200

#### LSCR002 High-Speed Fuse Block Selection Guide

FUSE SERIES	AMPERE RATINGS
L15S	500-800
L17T	300-800
L25S	225-800
L50S	225-800
L60S	225-800
KLC	70-800
L70S	125-800
JLLN	225-800
JLLS	225-800

### Web Resources

For more information, visit: [littelfuse.com/lscr](http://littelfuse.com/lscr)