

Excellent Integrated System Limited

Stocking Distributor

Click to view price, real time Inventory, Delivery & Lifecycle Information:

[Phoenix Contact](#)
[2318635](#)

For any questions, you can email us directly:

sales@integrated-circuit.com



Extract from the online catalog

VIP-CAB-FLK26/0,14/1,0M

Order No.: 2318635

The figure shows the 50-pos. product version



<http://eshop.phoenixcontact.de/phoenix/treeViewClick.do?UID=2318635>

Assembled round cable with two molded 26-pos. socket strips (1:1 connection). The cable has a 90° punched on connector and a 180° punched on connector, cable length: 1 m

Commercial data	
GTIN (EAN)	4046356311915
sales group	I580
Pack	1 pcs.
Customs tariff	85444290
Weight/Piece	0.14132 KG
Catalog page information	Page 259 (IF-2009)

Product notes

WEEE/RoHS-compliant since:
09/20/2007



<http://www.download.phoenixcontact.com>
 Please note that the data given here has been taken from the online catalog. For comprehensive information and data, please refer to the user documentation. The General Terms and Conditions of Use apply to Internet downloads.

Technical data

General	
Nominal voltage U_N	< 50 V AC
	60 V DC
Max. current carrying capacity per path	1 A
Max. conductor resistance	0.16 Ω /m

VIP-CAB-FLK26/0,14/1,0M Order No.: 2318635

<http://eshop.phoenixcontact.de/phoenix/treeViewClick.do?UID=2318635>

Ambient temperature (operation)	-20 °C ... 50 °C
Ambient temperature (storage/transport)	-20 °C ... 70 °C
Number of positions	26
Number of positions, control side	26
Number of connectors, control side	1
Number of positions, module side	26
Number of connectors, modul side	1
Fixed cable length	1 m
Single wire, cross section	0.14 mm ²
AWG	26
Conductor construction: Number of litz wires:	7
Single wire, material	Cu tin-plated
External diameter	8.3 mm
Cable, preassembly	Insulation displacement, IEC 60352-4/DIN EN 60352-4
Shielding	no

Certificates / Approvals

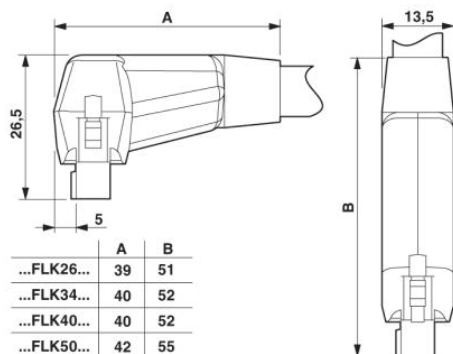


Certification

CUL, UL

Diagrams/Drawings

Dimensioned drawing



VIP-CAB-FLK26/0,14/1,0M Order No.: 2318635

<http://eshop.phoenixcontact.de/phoenix/treeViewClick.do?UID=2318635>

Address

PHOENIX CONTACT Inc., USA
586 Fulling Mill Road
Middletown, PA 17057, USA
Phone (800) 888-7388
Fax (717) 944-1625
<http://www.phoenixcon.com>



© 2010 Phoenix Contact
Technical modifications reserved;