

Excellent Integrated System Limited

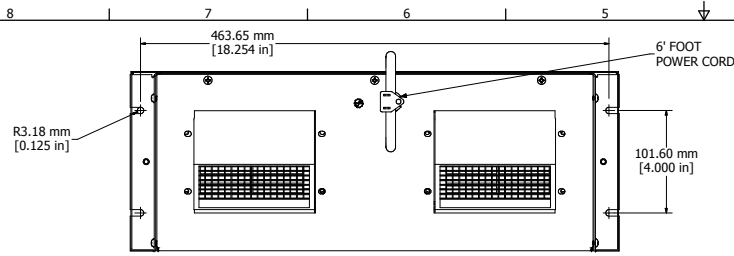
Stocking Distributor

Click to view price, real time Inventory, Delivery & Lifecycle Information:

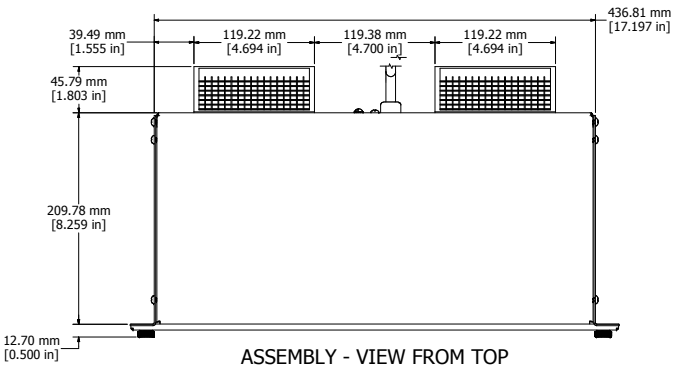
[Hammond Manufacturing](#)
[HB4500A](#)

For any questions, you can email us directly:

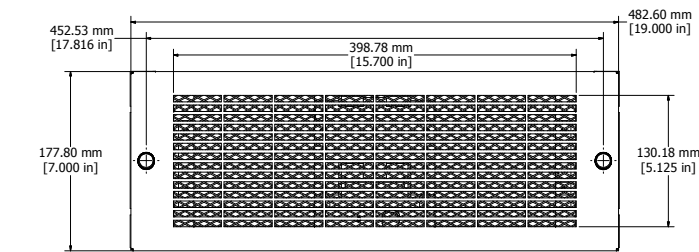
sales@integrated-circuit.com



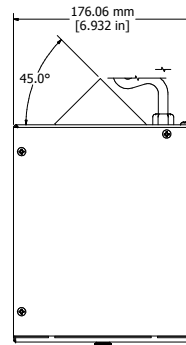
ASSEMBLY - VIEW FROM BACK



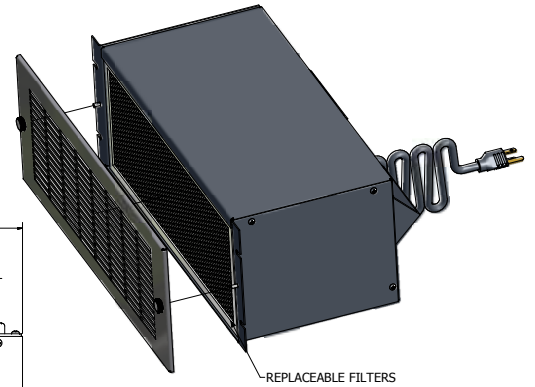
ASSEMBLY - VIEW FROM TOP



ASSEMBLY - VIEW FROM FRONT



ASSEMBLY - VIEW FROM SIDE



ISOMETRIC VIEW

HB4500A	
Finish - Front Screen - Polished Stainless Steel	
- Case - Painted Black Steel	
115 VAC, 50/60 Hz, 2.5 Amps, 405/465 CFM	
Motor - UL Recognized, CSA Certified, Ball Bearing Type	
ACCESSORIES	
Replacement Filter - HB4UFILTER (Package of 5)	
	HAMMOND MANUFACTURING™
	HB4500A
	www.hammondmfg.com